

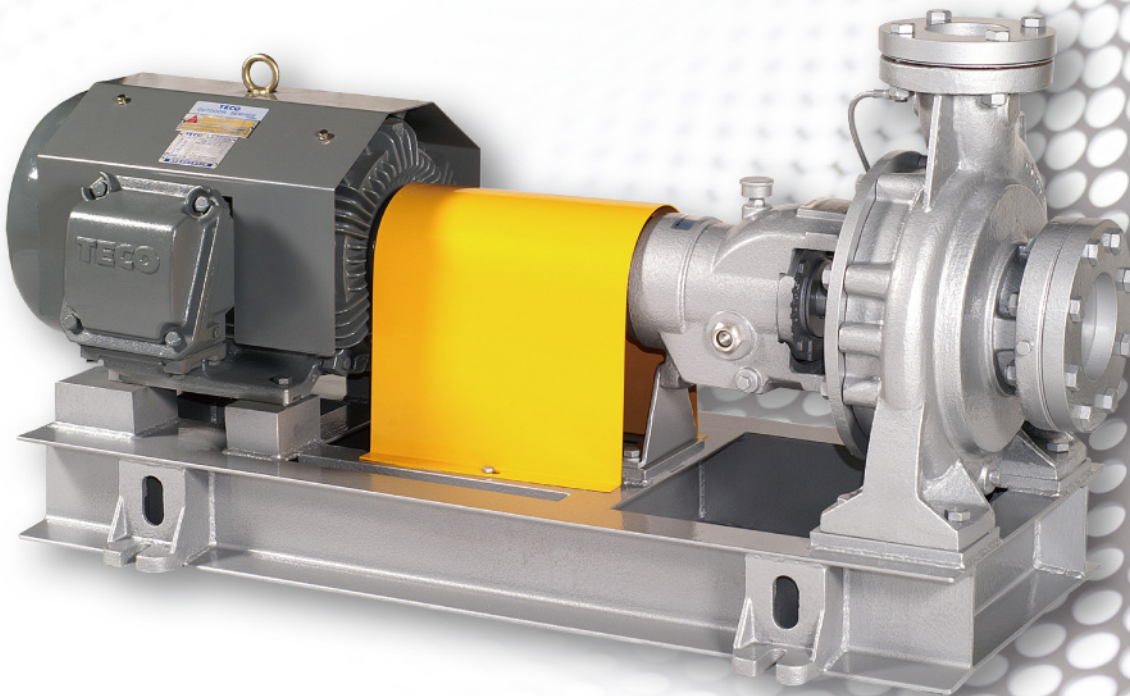


三錦機器股份有限公司
SUNNY KING MACHINERY CO. LTD

離心式製程泵浦
Centrifugal Process Pumps

ChemPLUS

ISO 5199 / EN 25199



CAT-61403

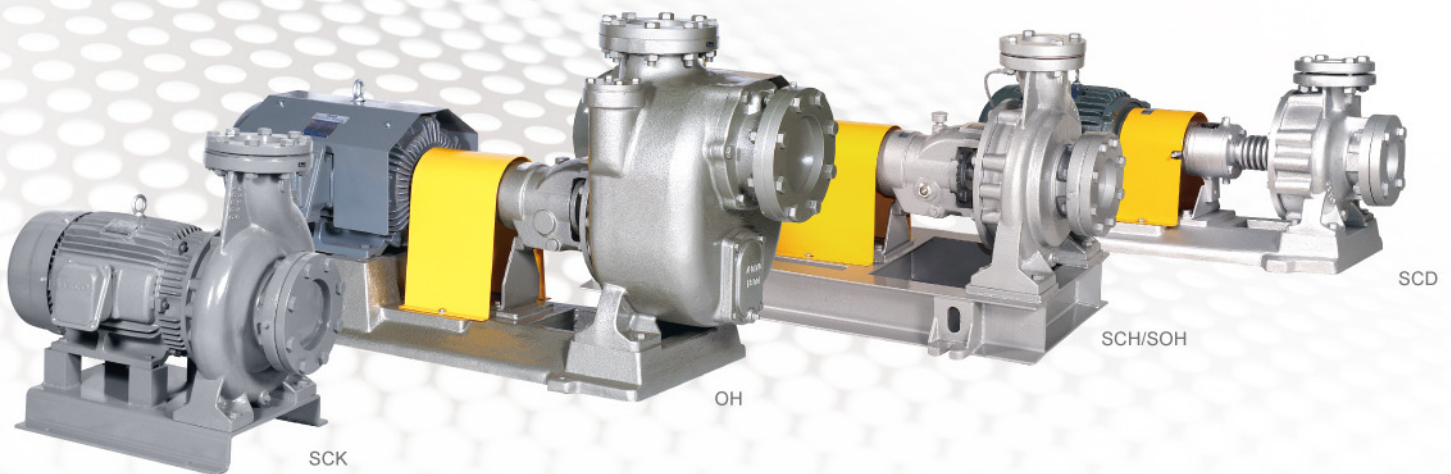
ChemPLUS 多樣化產品家族系列 VARIETY OF PRODUCT FAMILY LINES

三錦ChemPLUS離心式製程泵浦係根據「模組化製程泵浦」概念開發設計。除具備高度零組件互換性外，ChemPLUS離心式製程泵浦性能表現可符合ISO 5199/EN 25199離心式泵浦技術規範。在製程應用上，其性能可對應ANSI B73.1。

The SUNNY KING ChemPLUS Centrifugal Process Pumps were developed and designed based on the concept of "modular process pump". Being provided with high parts interchangeability, the performances of ChemPLUS centrifugal process pumps are in accordance with ISO 5199/EN 25199 Technical Specifications for Centrifugal Pumps. In the process applications, its performances are compatible with ANSI B73.1.

ChemPLUS離心式製程泵浦家族共有SCH、SCK、SOH、SCD以及OH系列等不同型式，超過40個以上水力尺寸可供選擇，可充分滿足不同的製程應用。此外，三錦ChemPLUS離心式製程泵浦在結構上也參考數十年應用經驗並加入具特色的改良特點，確保產業用戶的設備投資能產出最大效益。

The ChemPLUS centrifugal process pump family has different types including SCH, SCK, SOH, SCD and OH series. Over 40 hydraulic sizes are available to satisfy different process services. Further, the structure of SUNNY KING Centrifugal Process Pump has also been improved by referring to the application experiences over the past decades plus creative features to ensure the maximum yields in equipment investment.



ANSI B73.1 同級以上性能

PERFORMANCE EQUIVALENT TO OR ABOVE ANSI B73.1

三錦離心式製程泵浦，除符合ISO 5199 / EN 25199規範外，也參考ISO 2858及部分API 610 / ISO13709規範，可達到ANSI B73.1同級以上性能。

In addition to meet the ISO 5199/EN 25199 specifications, SUNNY KING Centrifugal Process Pumps also refer ISO 2858 and some technical requirements for API 610/ ISO13709. It can provide a performance equivalent to and above ANSI B73.1.



主要技術規範

MAIN TECHNICAL SPECIFICATIONS

技術規範 Technical Specifications	ANSI B73.1	ChemPLUS 製程泵浦 Process Pump
葉輪動平衡 Impeller Balance	ISO 1940 G 6.3	ISO 1940 < G 6.3
軸表面粗度 Shaft Surface Roughness	0.8µm	< 0.8µm
軸擺幅 Shaft Deflection	130µm(0.005in.)	< 50µm
軸承壽命 Bearing Life	17,500 hr	> 17,500 hr
磨蝕裕度 Corrosion Allowance	0.12 in.(3.2mm)	3.2mm

DATA SOURCE

- 1.Specification for Horizontal End Suction Centrifugal Pumps for Chemical Process (ANSI/ASME B73.1:2001)
- 2.Technical specifications for centrifugal pumps-Class II(ISO 5199:2002)

ChemPLUS 離心式製程泵浦設計特點

DESIGN FEATURES OF ChemPLUS CENTRIFUGAL PROCESS PUMP

機殼 CASING

法蘭

採用JIS 10K RF為標準法蘭，可指定使用ANSI B16.5 Class 150 RF/FF法蘭、DIN PN 16 RF/FF法蘭或其他指定法蘭。

結構

3.2mm腐蝕裕度，提供製程級泵浦的壽命耐久性。端吸(End-Suction)設計，頂部出口中心吐出提供自動排氣功能。附腳座機殼提供泵浦優良支撐性。

「背向拉出」(Back-pull-out)設計
泵浦維修免拆卸管路。

Flange

Use JIS 10K RF as the standard flange. Optional ANSI B16.5 Class 150 RF/FF flange, DIN PN16 RF/FF flange or other specific flange.

Structure

3.2mm corrosion allowance, providing durable life for process-class pump. End-Suction design, outlet top centerline discharge provides self-venting, air handling function. Foot-mounted casing features superb support for pump.

"Back-Pull-Out" design

Pipeline dismantling not required during pump maintenance.



機殼 Casing

葉輪 IMPELLER

新一代的3D葉輪採用最新的三維設計及製造技術，提供製程級泵浦必要的高性能及高效率。

The new generation 3D pump impeller adopted the latest three-dimensional design and manufacturing technology, which can provide necessary performance and efficiency for process-class pump.

密閉式葉輪
Close Impeller半開放式葉輪
Semi-open Impeller開放式葉輪
Open Impeller

軸承座 BEARING BRACKET

標準型軸承座

採用兩組免保養密封式黃油深溝滾珠軸承(SCH,SOH,OH型)，可省去軸承定期注油作業，兼具經濟性及保養方便性優點。

Standard Bearing Bracket

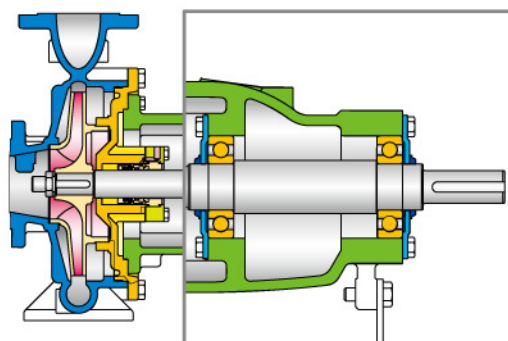
Two maintenance-free, sealed-and-greased deep groove ball bearings (SCH, SOH, OH models) are adopted to save the need for periodical bearing lubrication. It exhibits the merits of cost-efficiency and easier maintenance.

HD型軸承座

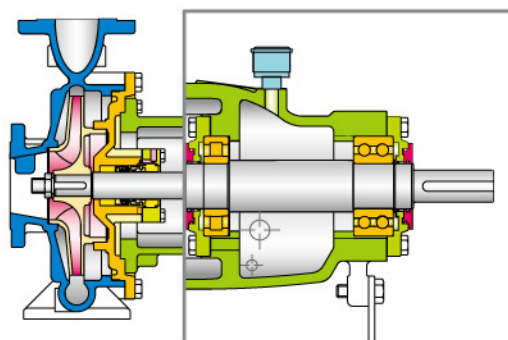
HD型軸承座專為重負載作業或是對軸承壽命有特殊要求的應用所設計。HD型軸承座架構使用油潤式滾柱軸承和雙列斜角滾珠軸承配置。此外，加大的油箱以及非接觸式迷宮式密封，提供核心製程及重負載作業所必要更長的MTBF (Mean Time Between Failure)。

HD Bearing Bracket

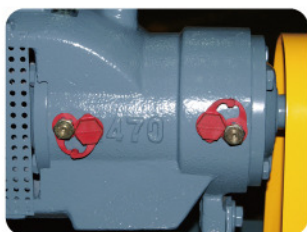
The HD bearing bracket was specially designed for heavy duty operation or the application which has specific demand of bearing life. The framework of HD bearing bracket adopts the arrangement of oil lubricated cylindrical bearing and double row angular contact ball bearing. Besides, enlarged oil sump and non-contact labyrinth seal provide extended MTBF (Mean Time Between Failure) required for core process and heavy duty operation.



標準型軸承座 Standard Bearing Bracket

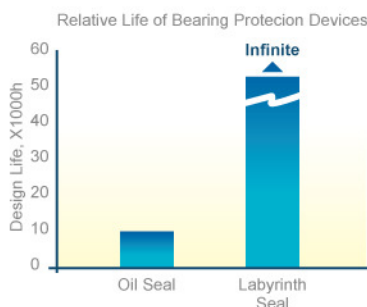


HD型軸承座 HD Bearing Bracket



軸承狀態監控

Bearing Condition Monitoring



Labyrinth Seal VS. Oil Seal

軸承保護

三錦迷宮式密封利用迷宮環上的曲折路徑阻絕水和雜質侵入軸承。不像接觸式Oil Seal有壽命限制，迷宮式密封為非接觸式不會磨耗零件，使用壽命近乎無限。

Bearing Protection

The SUNNY KING Labyrinth Seal utilizes the tortuous path on labyrinth ring to prevent penetration of water and contaminations into bearing. Unlike the contacting Oil Seal with limited life, the Labyrinth Seal is non-contacting and non-wearing parts for virtually unlimited life.

ChemPLUS 離心式製程泵浦設計特點 DESIGN FEATURES OF ChemPLUS CENTRIFUGAL PROCESS PUMP

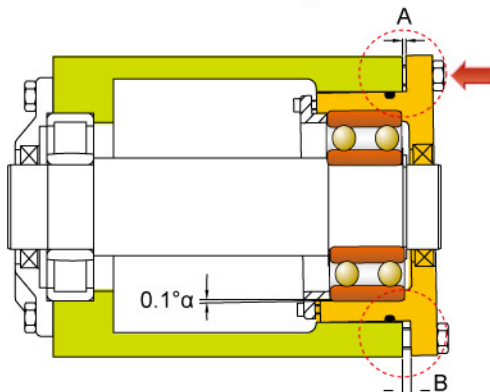
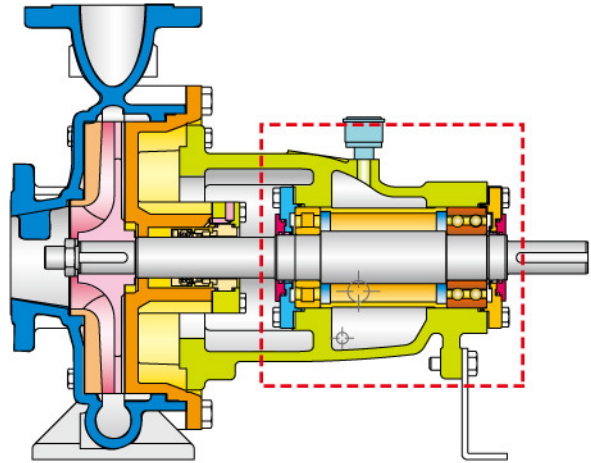
外部軸向調整 EXTERNAL AXIAL ADJUSTING

軸承角度- α ：誤差防止設計

維修具有葉輪間隙外部調整結構的離心式泵浦，最怕遇到軸承安裝品質出現問題。因為高精密度的製程級泵浦，其軸承容許的角度對準誤差都很少。例如製程泵浦上常見的雙列角接觸滾珠軸承，其角度對準誤差僅有兩分弧度(0.03度)，一旦安裝誤差超過容許範圍即會造成軸承壽命顯著下降。

Bearing Angle- α ：Error Prevention Design

When servicing the centrifugal pump having external impeller gap adjustment mechanism, the situation that the maintenance person fears the most is the problem with the bearing installation quality because the angle aligning error allowed for the bearing used in high-precision process-class pump is usually very small. Take the double row angular contact ball bearing normally seen in the process pump for example; the angle aligning error is only 2.0 radian (0.03 degrees) so the service life of the bearing would be obviously degraded once the installation error exceeds the allowable range.

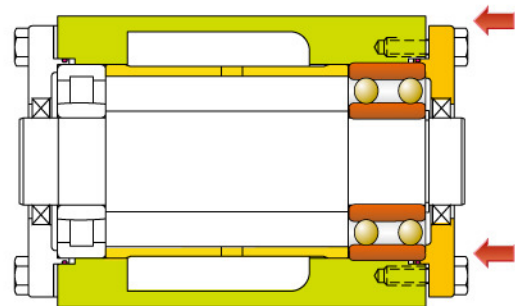


傳統調整結構

Conventional Adjusting Structure

不容易掌握軸承安裝精密度，容易因安裝過程誤差超過容許範圍而使泵浦經常因軸承損壞故障停機。

Not easy to control over the precision of bearing installation that the installation error tends to exceed the allowable range easily as to cause the failure downtime of the pump resulting from bearing damage.



改良式調整結構

Improved Adjusting Structure

軸承定位套筒設計，軸承角度對準誤差被機械加工精度控制在容許範圍內，可有效防止人工安裝誤差，只需將軸承壓到底即可安裝完成，有效提升維修便利性及品質。

With the bearing positioning sleeve design, the bearing angle aligning error can be controlled within the allowable range by the machining precision to effectively prevent the error of manual installation. To install, simply push the bearing to the bottom end. In this way, it can effectively enhance the maintenance accessibility and quality.

底座 BASEPLATE

底座不只有效使泵浦及馬達保持準確定位，而且能吸收震動。底座標準型式為鑄鐵底座或槽鐵底座，另可指定專利馬達可調整型底座，提升安裝便利性。

The baseplate can not only effectively maintain the pump and the motor at an accurate position but to absorb vibration. Typically, the baseplate will be made into casting iron base or fabricated steel baseplate. The patented motor-adjustable baseplate can also be provided to enhance the convenience of installation.

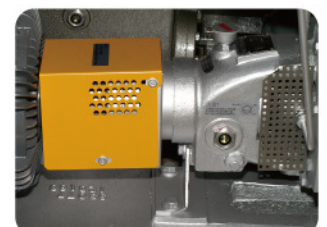


馬達可調整型底座
Motor-adjustable Baseplate

機械安全性 MACHINERY SAFETY

標準型聯軸器護罩可提供優良的人員防護。可根據客戶需要安裝全罩式聯軸器護罩及軸封護罩，以符合ISO 14120, EN 953或ANSI B15.1 機械安全標準。

The standard coupling guard can provide excellent personnel protection. Full-shield shaft coupling guard and seal guard can be mounted according to the preference of the customer to meet the machinery safety standard specified in ISO 14120, EN 953 or ANSI B15.1.



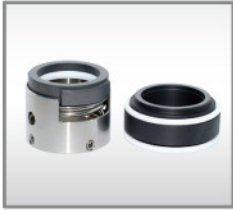
全罩式聯軸器護罩及軸封護罩
Full Shield Coupling & Seal Guard

ChemPLUS 離心式製程泵浦設計特點

DESIGN FEATURES OF ChemPLUS CENTRIFUGAL PROCESS PUMP



泛用型機械軸封
Universal Mechanical Seal



化工型機械軸封
Chemical Mechanical Seal



卡式型機械軸封
Cartridge Mechanical Seal

石油、石化及天然氣工業應用

當離心泵在石油、石化及天然氣工業製程應用時，某些特定要求可能必須遵循API 610/ ISO 13709國際標準。如果您有例如振動或軸承壽命方面的需求，請和三錦或您當地的技術代表洽詢，可透過泵浦提升工程將離心泵浦振動抑制至2.8mm/sec以下，或是提升軸承額定壽命L₁₀至25,000 ~100,000小時以上水準(訂購前請先確認)。

Applications for Petroleum, Petrochemical and Gas Industry

When use in petroleum, petrochemical and gas industry process services, some specific requirements of Centrifugal Pump would follow the international standard of API 610/ ISO 13709. If you have the demands such as vibration and bearing life, please consult **SUNNY KING** or your local technical representative for the pump upgrading program. The vibration of Centrifugal Pump can be reduced to below 2.8mm/sec, or the rated bearing life L₁₀ can be upgraded to the level of 25,000 ~ 100,000 hour. (Please confirm before placing the order).

泵浦軸封系統

PUMP SEALING SYSTEM

軸封的選用與配置影響泵浦壽命甚大，必須考慮泵浦工作液體特性如酸鹼度、壓力、溫度以及雜質含量程度等多項因素，如必要時甚至需針對軸封結構作修改設計。只有具備足夠專業能力廠商才能確保軸封元件得到最佳壽命。**ChemPLUS**離心式製程泵浦，可適合大部分ISO 3069/DIN 24960或API 682/ISO 21049所規範之軸封種類。

The selection and arrangement of Seal greatly concerns the service life of the pump. Therefore, it is necessary to consider the properties of pump working liquid such as acid/alkaline percentage, pressure, temperature and the percentage of impurities; if required, the seal structure must be modified. Only a vendor having adequate expertise can ensure the optimal seal component lifespan. The **ChemPlus** centrifugal process pump can accommodate most standard mechanical seal types according to ISO 3069/DIN 24960 or API 682/ ISO 21049.

填料型

SOFT PACKING

使用特殊處理過的軟性條狀材料作為密封，填料密封低成本、安裝簡單，可廣泛適用一般化工製程或是不適合機械軸封使用的環境。運轉時會有輕微洩漏屬於正常現象。

The specially treated soft-cord materials are used as seal. It is low cost and easier for installation and widely applicable for ordinary chemical process or the environment that is not suitable for mechanical seal. During operation, slight leakage will happen and it is a normal phenomenon.



機械軸封

MECHANICAL SEAL

錐形軸封腔

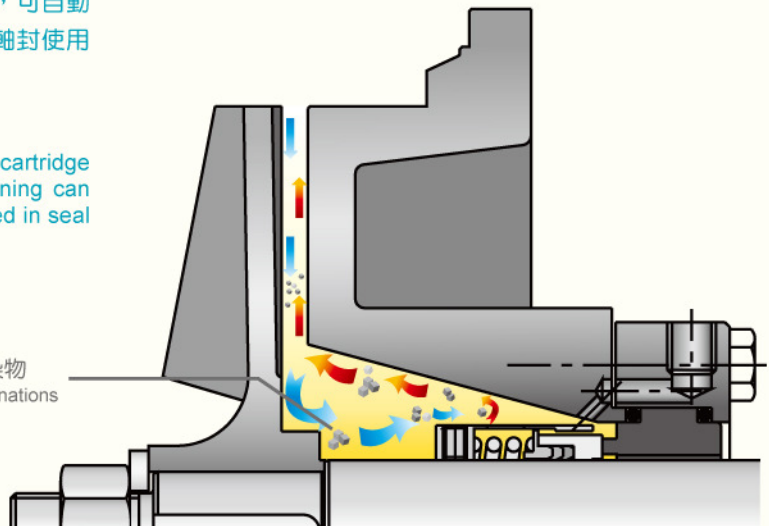
使用單軸封或卡式軸封時密封腔體為錐形開孔設計，可自動排除(self-venting)累積在軸封元件的污染物，延長軸封使用壽命。

Conical Seal Chamber

When using single acting mechanical seal or cartridge mechanical seal, the seal chamber with conical opening can automatically self-vent the contaminations accumulated in seal component in order to prolong the service life of seal.

**Conical
Bore**

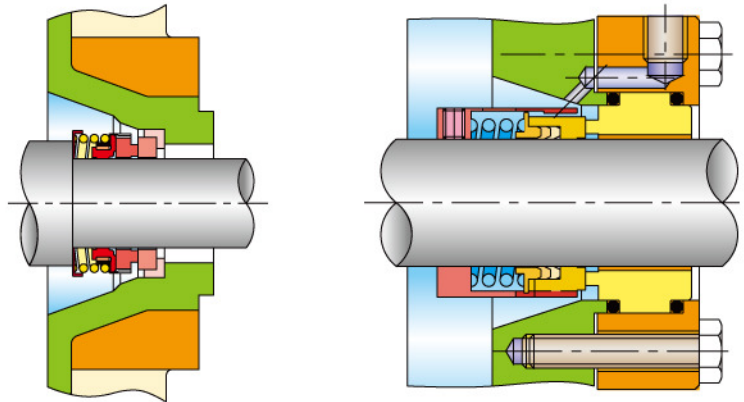
污染物
Contaminations



機械軸封配置 MECHANICAL SEAL ARRANGEMENT

單機械軸封
泛用或化工型軸封
錐形軸封腔
外沖或內循環接口
化工型軸封可選軸襯套
NBR, Viton, PTFE或Kalrez工程橡膠

Single-acting Mechanical Seal
Universal or chemical mechanical seal
Conical seal chamber
Injection flush or circulation connection
Optional shaft sleeve
NBR, Viton, PTFE or Kalrez elastomer

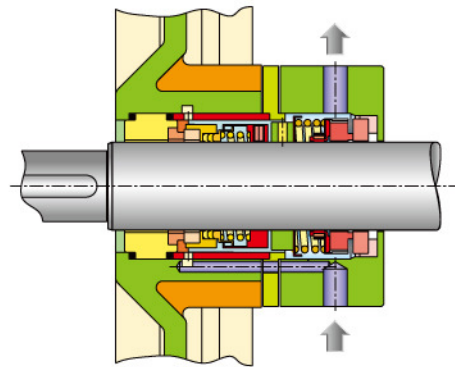


泛用型單機械軸封
Universal Single-acting Mechanical Seal

化工型單機械軸封
Chemical Single-acting Mechanical Seal

雙機械軸封—背對背配置
隔離液接口
可選軸襯套
Viton, PTFE或Kalrez工程橡膠

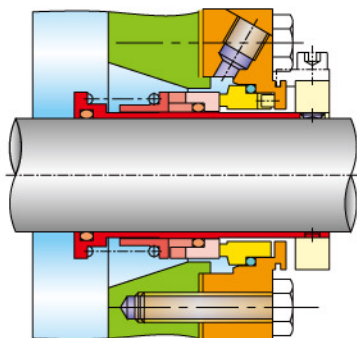
Double-acting Chemical Mechanical Seal, Back-to-back Arrangement
Barrier liquid connection
Optional shaft sleeve
Viton, PTFE or Kalrez elastomer



雙機械軸封—背對背配置
Double-acting Chemical Mechanical Seal, Back-to-back Arrangement

卡式單機械軸封
錐形軸封腔
外沖或內循環接口
附軸襯套
Viton, PTFE或Kalrez工程橡膠

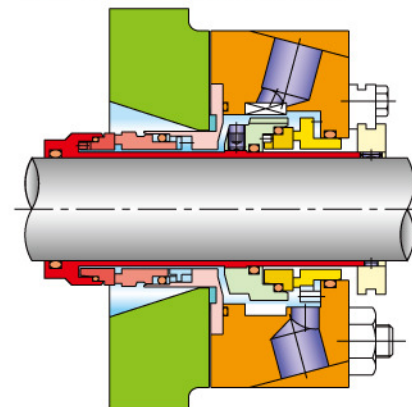
Cartridge Single-acting Mechanical Seal
Conical seal chamber
Injection flush or circulation connection
With shaft sleeve
Viton, PTFE or Kalrez elastomer



卡式單機械軸封
Cartridge Single-acting Mechanical Seal

卡式雙機械軸封
錐形軸封腔
隔離或緩衝液接口
附軸襯套
Viton, PTFE或Kalrez工程橡膠

Cartridge Double-acting Mechanical Seal
Conical seal chamber
Barrier or buffer liquid connection
With shaft sleeve
Viton, PTFE or Kalrez elastomer



卡式雙機械軸封 Cartridge Double-acting Mechanical Seal

ChemPLUS 離心式製程泵浦設計特點

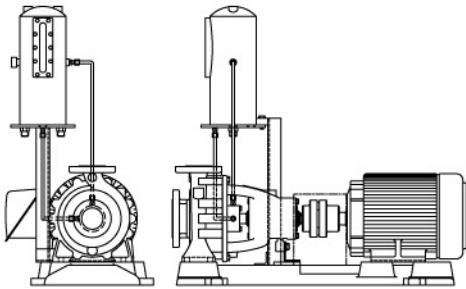
DESIGN FEATURES OF ChemPLUS CENTRIFUGAL PROCESS PUMP

軸封沖洗

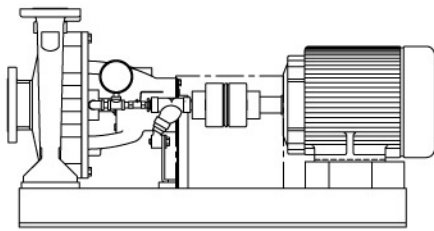
SEAL FLUSH PLANS

針對製程需要，三錦標準型離心泵浦可依據ISO 5199、ANSI B73.1或API 682/ ISO 21049軸封沖洗規範施工。

Depending on the need of the process, SUNNY KING's centrifugal process pump can be mounted pursuant to ISO 5199, ANSI B73.1 or API 682/ ISO 21049 on seal flushing plans.



PLAN53



PLAN32



PLAN53 (Customized)

E-FLEX聯軸器
E-FLEX Shaft Coupling

聯軸器

SHAFT COUPLING

SCH、SOH、OH型離心泵浦標準配備為E-FLEX型高扭矩撓性聯軸器，安裝保養容易且具有高容許不對心值，為最超值選擇。針對維修便利性可指定附SPACER之聯軸器。詳細技術資訊請洽本公司。

Typically, the SCH, SOH and OH centrifugal pumps are fitted with E-FLEX High-torque Flexible shaft coupling. It is a best value selection attributing to easier installation and the high allowance for misalignment. The shaft coupling with SPACER can be designated for maintenance convenience. For detailed technical information, please contact us.

泵浦加熱及冷卻系統

PUMP HEATING AND COOLING SYSTEM

為確保抽取的液體能得到適當加熱或冷卻，三錦離心式製程泵可配置加熱及冷卻系統(例如泵殼夾套及軸封夾套)，並可依客戶需求配置附屬管路。

To ensure proper heating or cooling for pumped fluid, SUNNY KING centrifugal process pump can be constructed with heating and cooling system (i.e. casing jacket or seal chamber jacket). Further, the auxiliary piping can also be arranged according to the customer requirements.

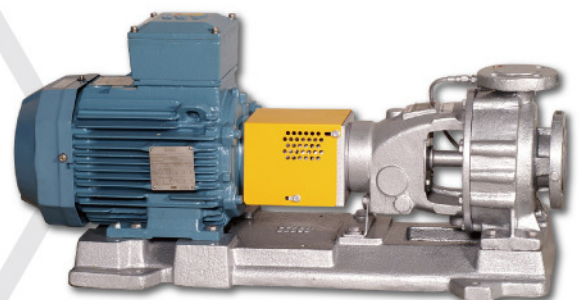
泵浦附軸封沖洗及機殼夾套
Pump with Flush Plan & Casing Jacket

防爆場所

EXPLOSIVE PREVENTION CLASSIFIED ENVIRONMENT

為減少含爆炸性氣體及粉塵使用場所發生爆炸意外，當泵浦、馬達及相關附屬裝置於歐盟ATEX標準歸類之環境下使用時，相關使用及裝置請洽本公司或當地技術代表。

In order to reduce the possibility of accidental explosions occurs in environments containing explosive gasses and/or dust, when a pump and its motor, accessories are installed for use in an EU ATEX classified environment, please contact SUNNY KING company or your local technical representative for the related instructions and instruments.



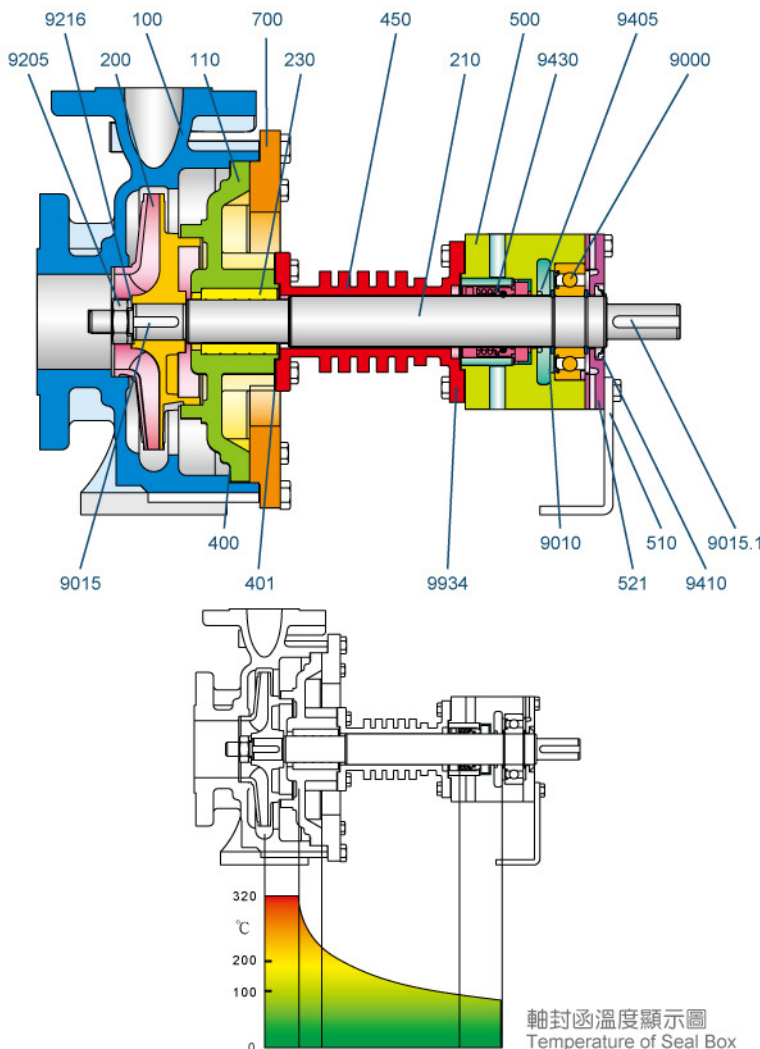
泵浦附防爆馬達 Pump with Explosion Protection Motor

ChemPLUS SCD 高溫泵浦 SCD HIGH TEMPERATURE PUMP

特點 FEATURES

- 尺寸依歐盟DIN 24255/EN 733標準設計
 - 3.2 mm機殼腐蝕裕度
 - 背向拉出式設計
 - 符合ISO 5199/EN 25199離心式泵浦技術規範要求
 - 採用經水力平衡設計密閉式葉輪，軸向力更小
 - 特殊高溫型軸封函具散熱片構造，可處理高溫煤油350°C以下或熱水230°C以下不需額外水冷卻系統，可有效防止熱液產生軸封失效
 - 簡單可靠的高溫型黃油潤滑軸承座，有效降低維護成本
- Dimensions designed according to the standard specified in DIN 24255/EN 733.
 - 3.2 mm of casing corrosion allowance.
 - Back-Pull-Out design.
 - Specifications and performance are in accordance with ISO 5199/EN 25199.
 - Hydraulic balanced enclosed type impeller with smaller axial force.
 - Special designed high-temperature resistant gland box is provided with radiating fins for treating high-temperature kerosene below 350°C or hot water below 230°C without additional water-cooling system. In this way, it can effectively prevent hot liquid from causing seal failure.
 - Simplified and high reliable thermo type grease lubricated bearing bracket can effectively reduce the maintenance cost.

內部結構 CONSTRUCTION



零件表 PARTS LIST WITH MATERIALS OF CONSTRUCTION

編號	零件名稱 PARTS NAME	Mat.1
100	機殼 Casing	FCD500
110	中間支座 Adaptor (with Integral Seal Chamber)	S45C
200	葉輪 Impeller	SCS13
210	軸 Shaft	SACM1
230	襯套軸承 Sleeve Bearing	CB
400	中間支座墊片 Gasket, Adaptor	V-1500
401	軸封函墊片 Gasket, Seal Box	V-1500
450	軸封函 Seal Box	S45C
500	軸承座 Bearing Bracket	S45C
510	支架 Support Foot	SS400
521	軸承蓋 Bearing Cover	FC200
700	中間支座壓板 Adaptor Lock Plate	SS400
9000	軸承 Bearing	Single row deep groove
9010	C扣環 Circlip	SK7
9015	葉輪固定鍵 Key, Impeller	SUS304
9015.1	聯軸器固定鍵 Key, Coupling	S45C
9205	葉輪防鬆螺帽 Locknut, Impeller	SUS304
9216	葉輪螺帽防鬆墊圈 Lockwasher, Impeller	SUS304
9405	O型環 O-Ring	Viton
9410	擋水環 Water Slinger	NBR
9430	機械軸封 Mechanical Seal	According to mechanical seal type
9934	軸承座墊片 Gasket, Bearing Bracket	V-1500

用途 APPLICATION

化學工業：污水設備、聚合物設備及熱攪拌器。
食品工業：油脂軟化設備、脂肪酸甘油蒸餾。
造紙工業及波紋紙板的生產、清洗機器的加溫、工業熨斗。

Chemical Industry : Sewage equipment, polymer-base equipment and heat agitator.
Food Industry : Fat softening equipment and fatty acid glycerin distillation.
Paper making industry and corrugated board production, cleaning machine heating, and industrial iron.

ChemPLUS SCH臥式單段密閉葉輪型

SCH HORIZONTAL SINGLE-STAGE PUMP WITH CLOSE IMPELLER

特點 FEATURES

- 尺寸依歐盟DIN 24255/EN 733標準設計
- 3.2 mm機殼腐蝕裕度
- 背向拉出式設計
- 符合ISO 5199/EN 25199離心式泵浦技術規範要求
- 採用經水力平衡設計密閉式葉輪，軸向力更小
- 可選用機殼磨蝕環
- Dimensions designed according to the standard specified in DIN 24255/EN 733.
- 3.2mm of casing corrosion allowance.
- Back-pull-out design.
- Specifications and performance are in accordance with ISO 5199/EN 25199.
- Hydraulic balanced close type impeller with smaller axial force.
- Optional casing wear ring.

1 軸承 Bearing

油潤式滾柱軸承和雙列斜角滾珠軸承配置提供重負載作業使用。

Arrangement of oil lubricated cylindrical bearing and double row angular contact ball bearing for heavy duty application.

2 密閉式葉輪
Close Impeller

葉輪動平衡至 ISO 1940 G 6.3或更佳。

Impeller dynamic balance to ISO 1940 G 6.3 or better.



3 機殼 Casing

端吸出口中心吐出。
3.2mm腐蝕裕度。

End-suction with centerline discharge.
3.2 mm corrosion allowance.

4 油箱 Oil Sump

加大型油箱提供較佳的熱傳導效果。

Enlarged oil sump results in better heat transfer.

5 迷宮式密封
Labyrinth Seal

迷宮式密封為非接觸式設計，正常使用下壽命近乎無限。

Labyrinth seal is a non-contact design. It has almost unlimited life under normal operation.

6 背向拉出設計
Back-Pull-Out Design

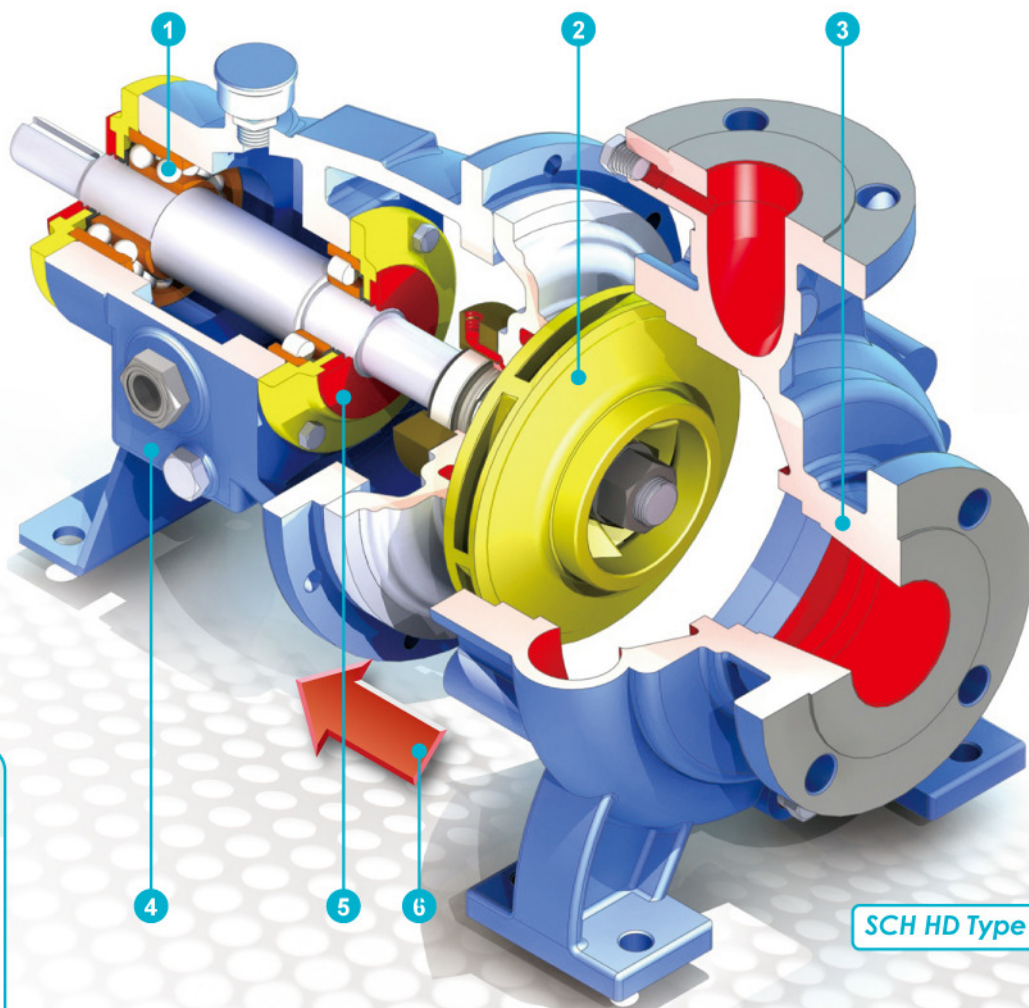
泵浦維修免拆卸管路。

Pipeline dismantling not required during pump maintenance.

錐形軸封腔
Conical Seal Chamber

錐形開孔軸封腔，延長軸封壽命。

Conical opening seal chamber extends shaft seal service life.



SCH HD Type

ChemPLUS[®] SOH臥式單段半開放/開放葉輪型

SOH HORIZONTAL SINGLE-STAGE PUMP WITH SEMI-OPEN/OPEN IMPELLER

特點 FEATURES

- 尺寸依歐盟DIN 24255/EN 733標準設計
- 3.2 mm機殼腐蝕裕度
- 背向拉出式設計
- 符合ISO 5199/EN 25199離心式泵浦技術規範要求
- 標準採用半開放或選用開放式葉輪加背葉，減少軸向推力，並提升處理含顆粒或長纖維液體效能
- 可更換機殼摩擦板：機殼摩擦板磨損後可更換，不必更換整個機殼
- 改良式葉輪間隙調整機構
- Dimensions designed according to the standard specified in DIN 24255/EN 733.
- 3.2 mm of casing corrosion allowance.
- Back-Pull-Out design.
- Specifications and performance are in accordance with ISO 5199/EN 25199.
- Standard semi-open or optional open type impeller with back vanes to reduce axial thrust and to enhance the efficiency of processing grain or long-fiber contained liquid.
- Renewable casing wearing plate: The casing wearing plate can be replaced after wearing without replacing the entire casing.
- Improved Impeller clearance adjusting mechanism.

1 軸承 Bearing

油潤式滾柱軸承和雙列斜角滾珠軸承配置提供重負載作業使用。

Arrangement of oil lubricated cylindrical bearing and double row angular contact ball bearing for heavy duty application.

2 外部軸向調整結構
External Axial Adjusting Structure

改良式外部軸向調整結構附軸承定位套筒設計，可有效提升維修便利性及品質。

Improved external axial adjusting structure with bearing positioning sleeve can effectively enhance maintenance accessibility and quality.

3 半開放式葉輪
Semi-open Impeller

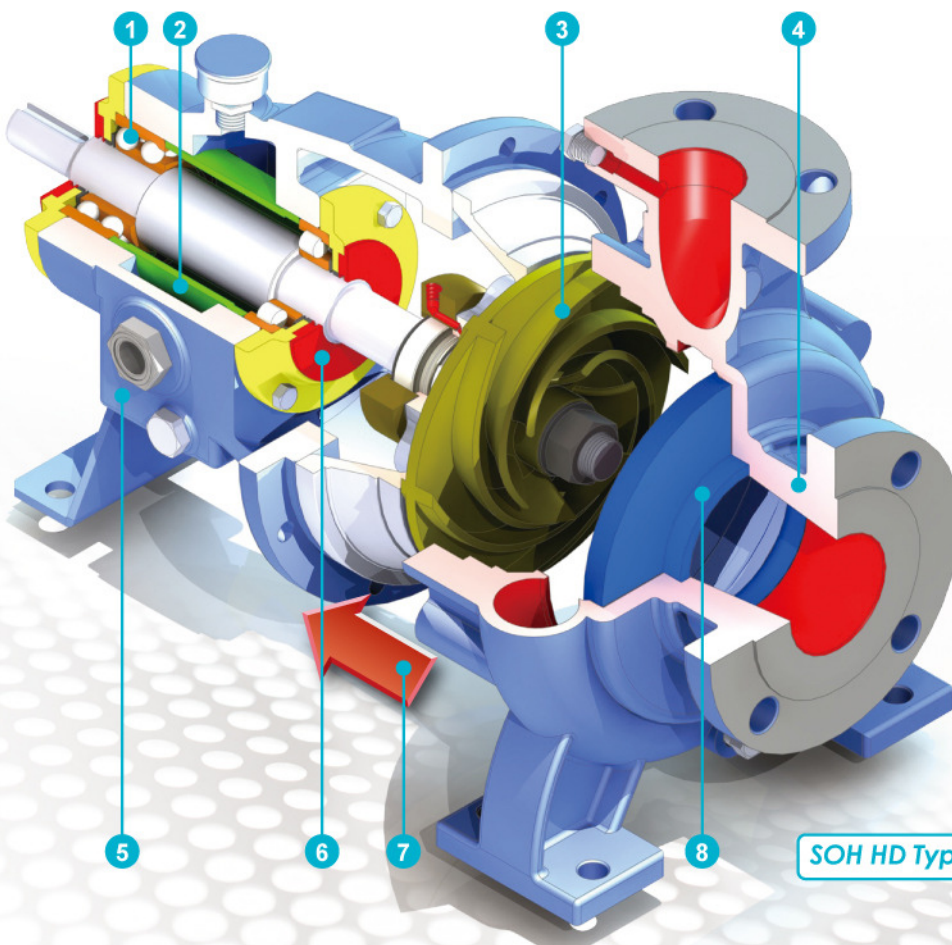
葉輪動平衡至ISO 1940 G 6.3或更佳。可選用開放式葉輪。

Impeller dynamic balance to ISO 1940 G 6.3 or better. Optional open impeller.

4 機殼 Casing

端吸出口中心吐出。
3.2mm腐蝕裕度。

End-suction with centerline discharge.
3.2 mm corrosion allowance.

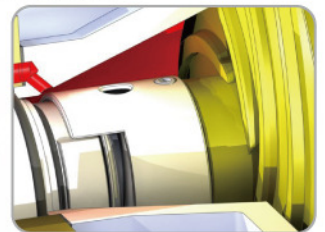


SOH HD Type

錐形軸封腔
Conical Seal Chamber

錐形開孔軸封腔，延長軸封壽命。

Conical opening seal chamber extends shaft seal service life.



5 油箱 Oil Sump

加大型油箱提供較佳的熱傳導效果。

Enlarged oil sump results in better heat transfer.

6 迷宮式密封
Labyrinth Seal

迷宮式密封為非接觸式設計，正常使用下壽命近乎無限。

Labyrinth seal is a non-contact design. It has almost unlimited life under normal operation.

7 背向拉出設計
Back-Pull-Out Design

泵浦維修免拆卸管路。

Pipeline dismantling not required during pump maintenance.

8 機殼摩擦板 Wear Plate

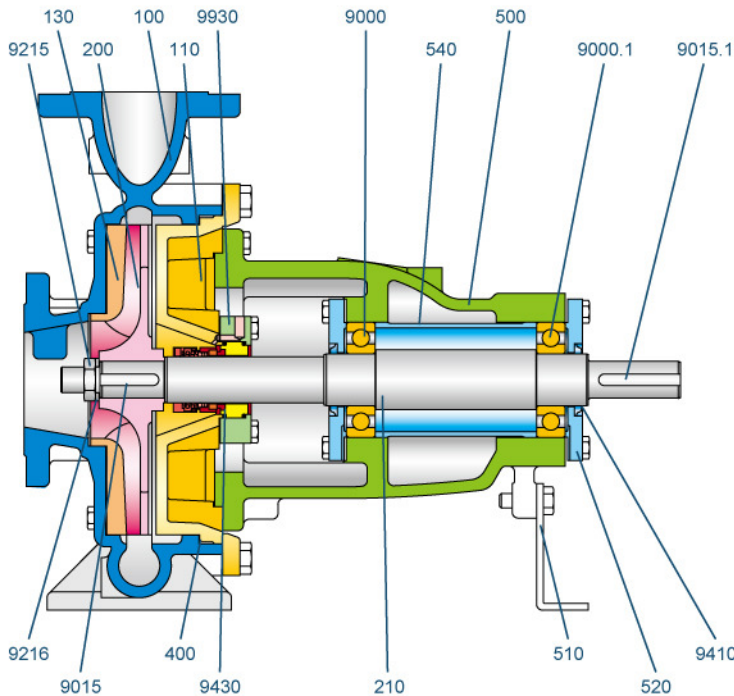
可更換的機殼摩擦板，不必更換整個機殼。

Renewable casing wear plate, no need to replace entire casing.

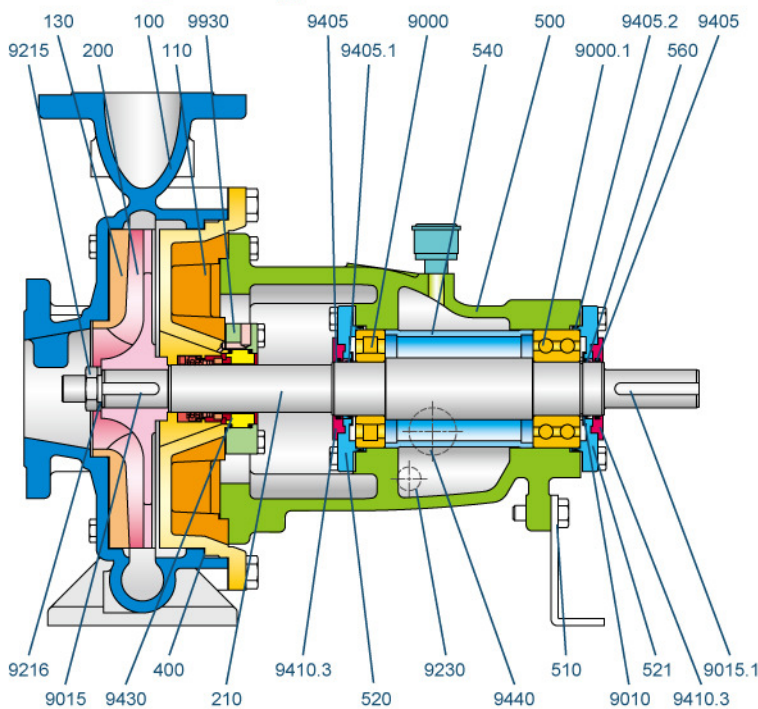
內部結構

CONSTRUCTION

SOH標準型 SOH Standard Type



SOH HD型 SOH HD Type



零件表

PARTS LIST WITH MATERIALS OF CONSTRUCTION

編號	零件名稱 PARTS NAME	Mat.1	Mat.2	Mat.3
100	機殼 Casing	FC200	SCS13	SCS14
110	中間支座 Adaptor (with Integral Seal Chamber)	FC200	SCS13	SCS14
130	機殼摩擦板 Wear Plate	FC200	SCS13	SCS14
200	葉輪 Impeller	BC	SCS13	SCS14
210	軸 Shaft	SUS410	SUS304	SUS316
400	中間支座墊片 Gasket, Adaptor	石綿 / 非石綿 Asbestos/Non-asbestos		
500	軸承座 Bearing Bracket	FC200	FC200	FC200
510	支架 Support Foot	SS400	SS400	SS400
520	軸承蓋 Bearing Cover	FC200	FC200	FC200
521	軸承蓋 Bearing Cover	FC200	FC200	FC200
540	軸承定位套筒 Bearing Position Sleeve	SS400	SS400	SS400
560	迷宮式擋油環 Labyrinth Oil Seal	BC	BC	BC
9000	非傳動側軸承 Bearing, Driven Side	Single row deep groove Single row cylindrical		
9000.1	傳動側軸承 Bearing, Driving Side	Single row deep groove Double row angular contact		
9010	C扣環 Circlip	SK7	SK7	SK7
9015	葉輪固定鍵 Key, Impeller	SUS304	SUS304	SUS316
9015.1	聯軸器固定鍵 Key, Coupling	S45C	S45C	S45C
9215	葉輪防鬆螺帽 Locknut, Impeller	SUS304	SUS304	SUS316
9216	葉輪螺帽防鬆墊圈 Lockwasher, Impeller	SUS304	SUS304	SUS316
9230	洩油孔塞頭 Oil Drain Boss	FC200	FC200	FC200
9405	O型環 O-Ring	NBR	NBR	NBR
9405.1	O型環 O-Ring	NBR	NBR	NBR
9405.2	O型環 O-Ring	NBR	NBR	NBR
9410	V型環 V-Ring	NBR	NBR	NBR
9410.3	迷宮式擋水環 Labyrinth Water Slinger	AL	AL	AL
9430	機械軸封 Mechanical Seal	According to mechanical seal type		
9440	油鏡 Oil Sight Glass	AL	AL	AL
9930	軸封蓋 Seal Chamber / Stuffing Box Cover	FC200	SUS304	SUS316

下列金屬材質請洽本公司 Please contact us for the following materials :
Ductile Iron, Cast Steel, SUS 316L, Alloy 20, Monel Alloy, Hastelloy, CD4MCU and Others.

ChemPLUS OH自吸式製程泵浦 OH SELF-PRIMING PROCESS PUMP

特點 FEATURES

- 3.2 mm 機殼腐蝕裕度
- 背向拉出式設計
- 標準採用半開放或選用開放式葉輪加背葉，減少軸向推力，並提升處理含顆粒或長纖維液體效能
- 整合式自吸及氣體分離功能機殼，泵浦不必加裝輔助自吸裝置(如底閥)，避免自吸裝置故障維修困難問題
- 大容量機殼，初次注水後可儲存更多水量，提供更快速自吸能力
- 除污孔蓋設計：可透過容易拆卸的除污孔蓋檢視機殼內部併清除異物
- 零組件互換性高，大部分零組件可和SOH系列共用
- 3.2 mm of casing corrosion allowance.
- Back-Pull-Out design.
- Standard semi-open or optional open type impeller with back vanes to reduce axial thrust and to enhance the efficiency of processing grain or long-fiber contained liquid.
- With integral priming and air separation function casing mounted, the auxiliary self-priming devices (i.e. bottom valve) is no longer required for the pump to avoid maintenance problems when the self-priming device fails.
- Large-capacity casing. After first priming, more water can be stored to provide much faster self-priming capability.
- Maintenance cover : Through the removable maintenance cover, the user can check the internal side of the casing and remove the foreign matters within.
- High parts interchangeability. Most parts can be shared with SOH Series.

1 軸承 Bearing

油潤式滾柱軸承和雙列斜角滾珠軸承配置提供重負載作業使用。

Arrangement of oil lubricated cylindrical bearing and double row angular contact ball bearing for heavy duty application.

2 油箱 Oil Sump

加大型油箱提供較佳的熱傳導效果。

Enlarged oil sump results in better heat transfer.

3 半開放式葉輪 Semi-open Impeller

葉輪動平衡至 ISO 1940 G 6.3 或更佳。可選用開放式葉輪。

Impeller dynamic balance to ISO 1940 G 6.3 or better. Optional open impeller.

4 整合式自吸機殼 Integral Self-priming Casing

端吸出口中心吐出。3.2mm 腐蝕裕度。自吸及氣體分離整合功能機殼，泵浦不必加裝輔助自吸裝置。

End-suction with centerline discharge. 3.2mm corrosion allowance. Integral large-capacity priming and air separation function casing mounted, the auxiliary self-priming devices is no longer required for the pump.

5 機殼摩擦板 Wear Plate

可更換的機殼摩擦板，不必更換整個機殼。

Renewable casing wear plate, no need to replace entire casing.

6 背向拉出設計 Back-Pull-Out Design

泵浦維修免拆卸管路。

Pipeline dismantling not required during pump maintenance.

7 迷宮式密封 Labyrinth Seal

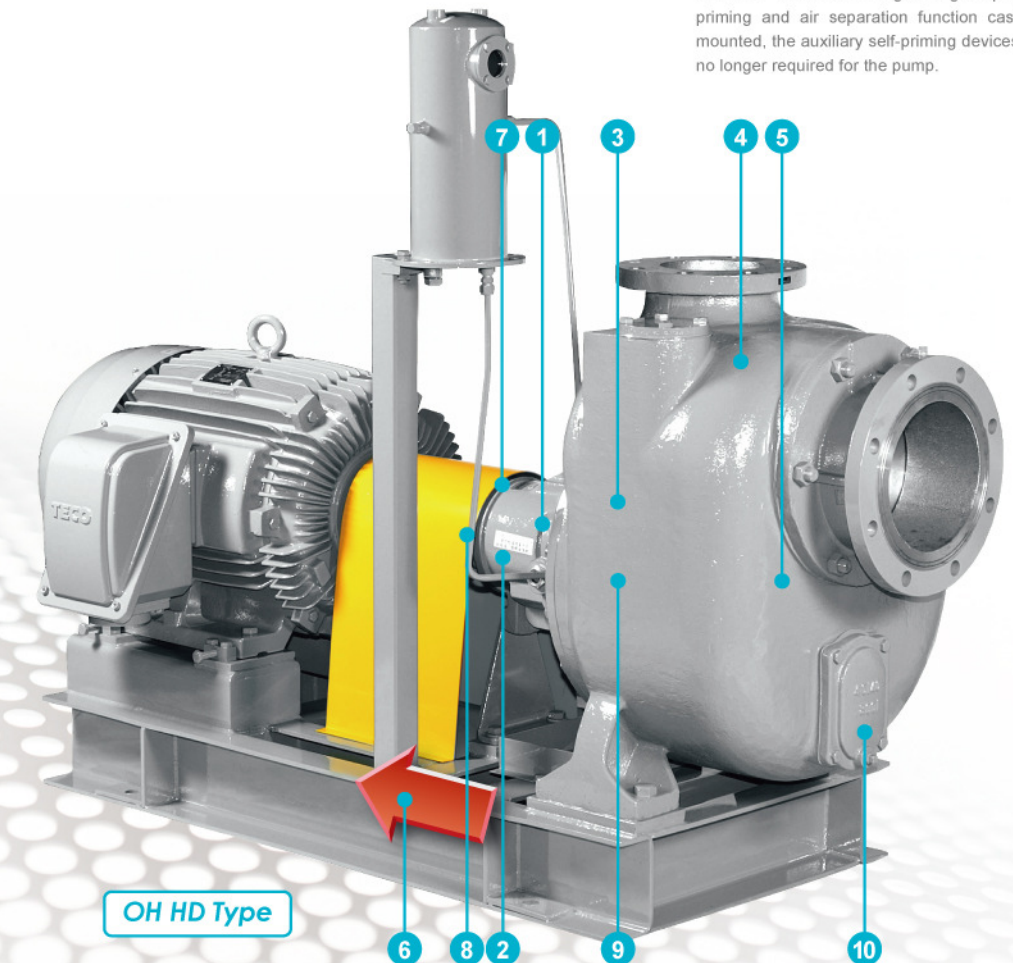
迷宮式密封為非接觸式設計，正常使用下壽命近乎無限。

Labyrinth seal is a non-contact design. It has almost unlimited life under normal operation.

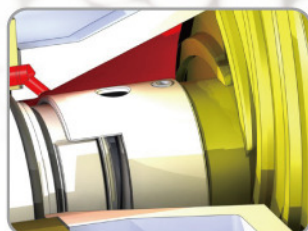
8 外部軸向調整結構 External Axial Adjusting Structure

改良式外部軸向調整結構附軸承定位套筒設計，可有效提升維修便利性及品質。

Improved external axial adjusting structure with bearing positioning sleeve can effectively enhance maintenance accessibility and quality.



OH HD Type



9 錐形軸封腔 Conical Seal Chamber

錐形開孔軸封腔，延長軸封壽命。

Conical opening seal chamber extends shaft seal service life.

10 除污孔蓋 Maintenance Cover

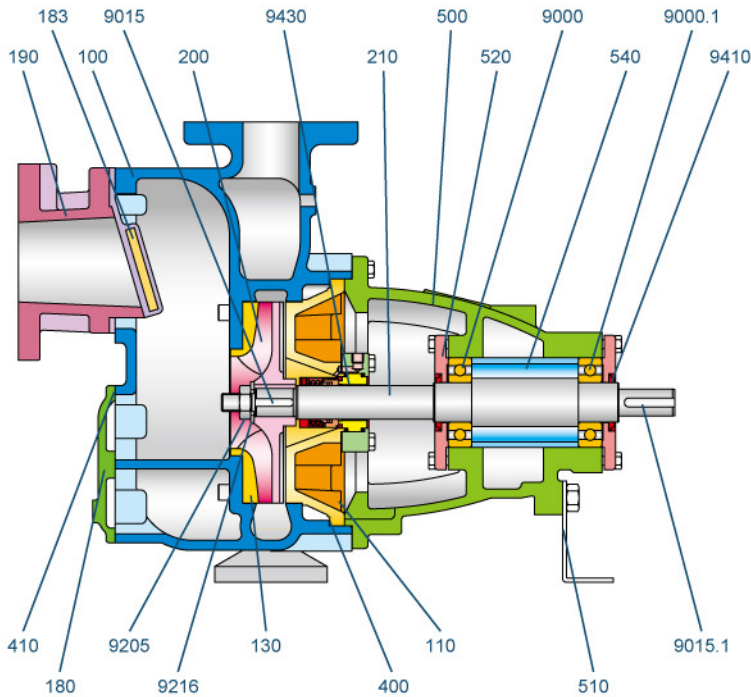
當泵浦阻塞時，可拆卸除污孔蓋檢視機殼內部並清除異物。

When pump is clogged, the accessible maintenance cover can be removed to check the interior of casing and remove the foreign matters.

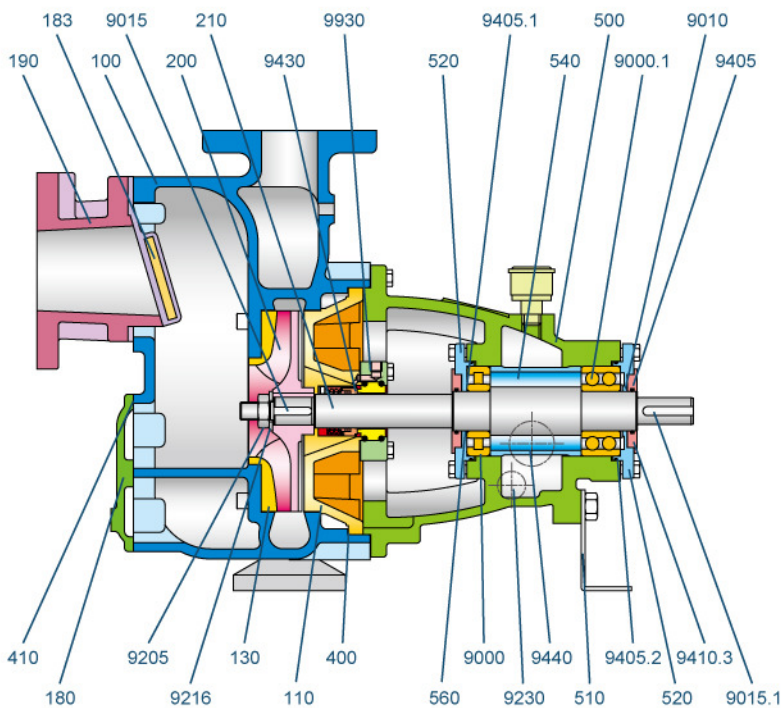
內部結構

CONSTRUCTION

OH標準型 OH Standard Type



OH HD型 OH HD Type



零件表

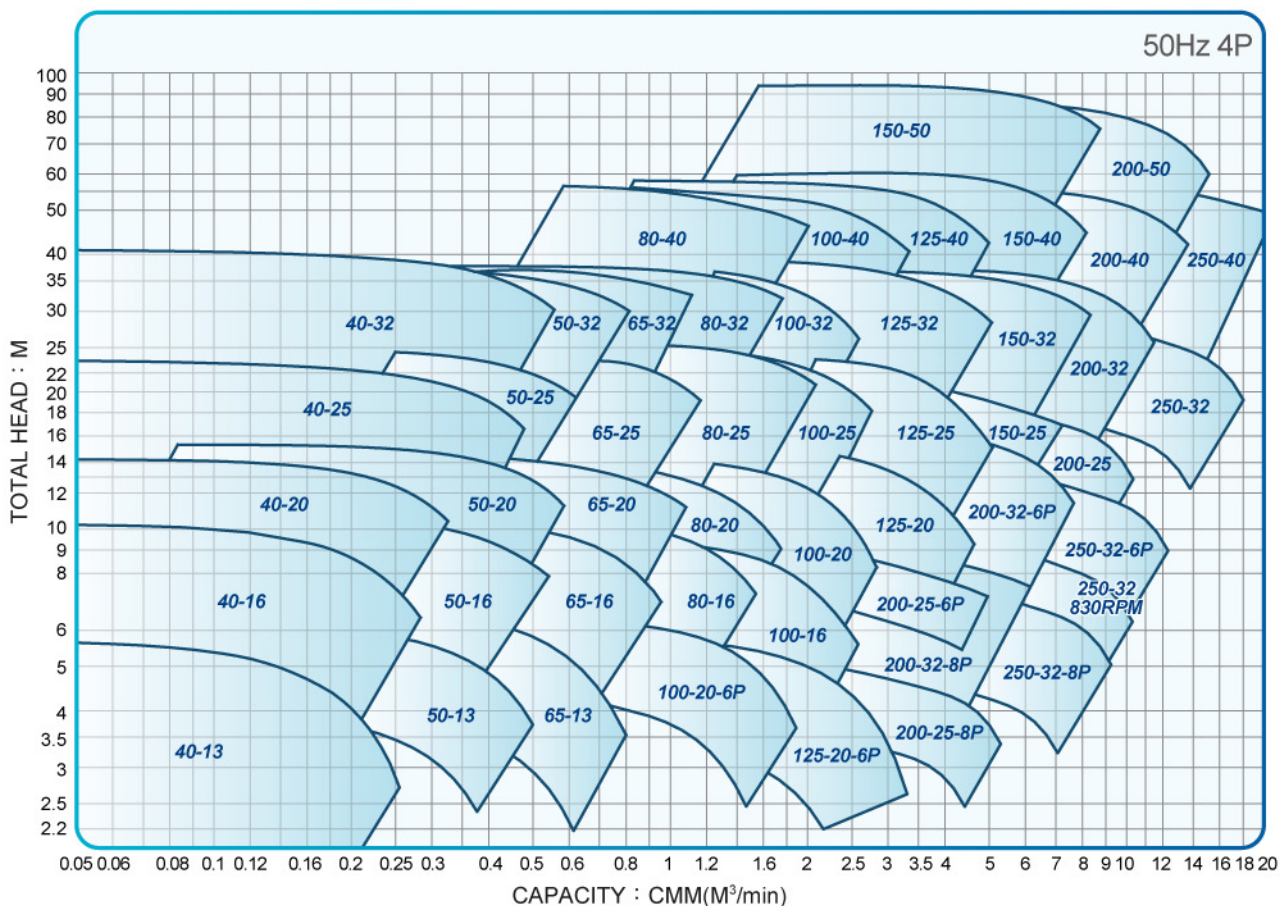
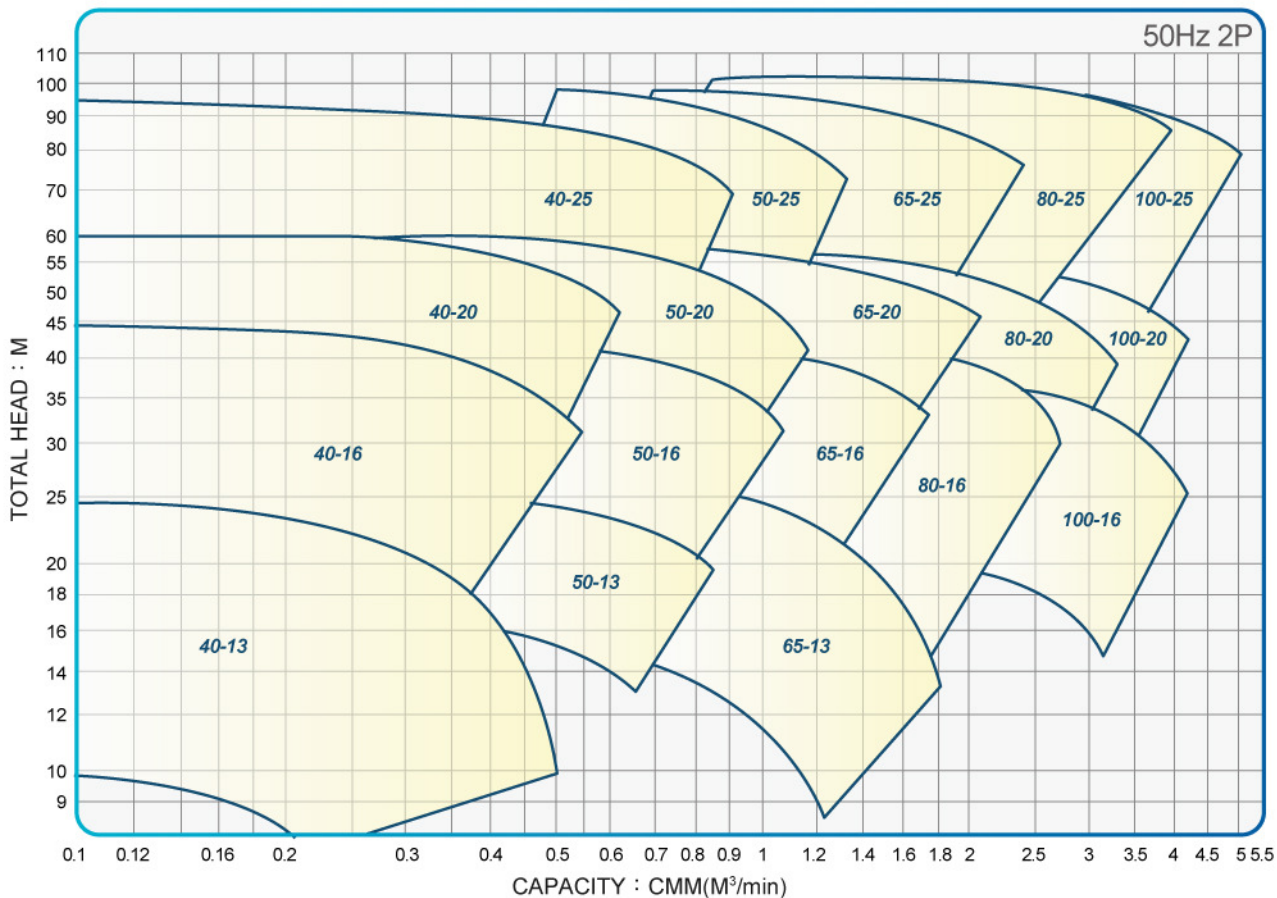
PARTS LIST WITH MATERIALS OF CONSTRUCTION

編號	零件名稱 PARTS NAME	Mat.1	Mat.2	Mat.3
100	機殼 Casing	FC200	SCS13	SCS14
110	中間支座 Adaptor (with Integral Seal Chamber)	FC200	SCS13	SCS14
130	機殼摩擦板 Wear Plate	FC200	SCS13	SCS14
180	除污孔蓋 Maintenance Cover	FC200	SCS13	SCS14
183	阻水膠塊 Check Valve	NBR	NBR	TEFLON
190	入水口座 Inlet	FC200	SCS13	SCS14
200	葉輪 Impeller	BC	SCS13	SCS14
210	軸 Shaft	SUS410	SUS304	SUS316
400	中間支座墊片 Gasket, Adaptor	石棉 / 非石棉 Asbestos/Non-asbestos		
410	除污孔蓋墊片 Gasket, Maintenance Cover	石棉 / 非石棉 Asbestos/Non-asbestos		
500	軸承座 Bearing Bracket	FC200	FC200	FC200
510	支架 Support Foot	SS400	SS400	SS400
520	軸承蓋 Bearing Cover	FC200	FC200	FC200
540	軸承定位套筒 Bearing Position Sleeve	SS400	SS400	SS400
560	迷宮式擋油環 Labyrinth Oil Seal	BC	BC	BC
9000	非傳動側軸承 Bearing, Driven Side	Single row deep groove Single row cylindrical		
9000.1	傳動側軸承 Bearing, Driving Side	Single row deep groove Double row angular contact		
9010	C扣環 Circlip	SK7	SK7	SK7
9015	葉輪固定鍵 Key, Impeller	SUS304	SUS304	SUS316
9015.1	聯軸器固定鍵 Key, Coupling	S45C	S45C	S45C
9205	葉輪防鬆螺帽 Locknut, Impeller	SUS304	SUS304	SUS316
9216	葉輪螺帽防鬆墊圈 Lockwasher, Impeller	SUS304	SUS304	SUS316
9230	洩油孔塞頭 Oil Drain Boss	FC200	FC200	FC200
9405	O型環 O-Ring	NBR	NBR	NBR
9405.1	O型環 O-Ring	NBR	NBR	NBR
9405.2	O型環 O-Ring	NBR	NBR	NBR
9410	V型環 V-Ring	NBR	NBR	NBR
9410.3	迷宮式擋水環 Labyrinth Water Slinger	AL	AL	AL
9430	機械軸封 Mechanical Seal	According to mechanical seal type		
9440	油鏡 Oil Sight Glass	AL	AL	AL
9930	軸封蓋 Seal Chamber/Stuffing Box Cover	FC200	SUS304	SUS316

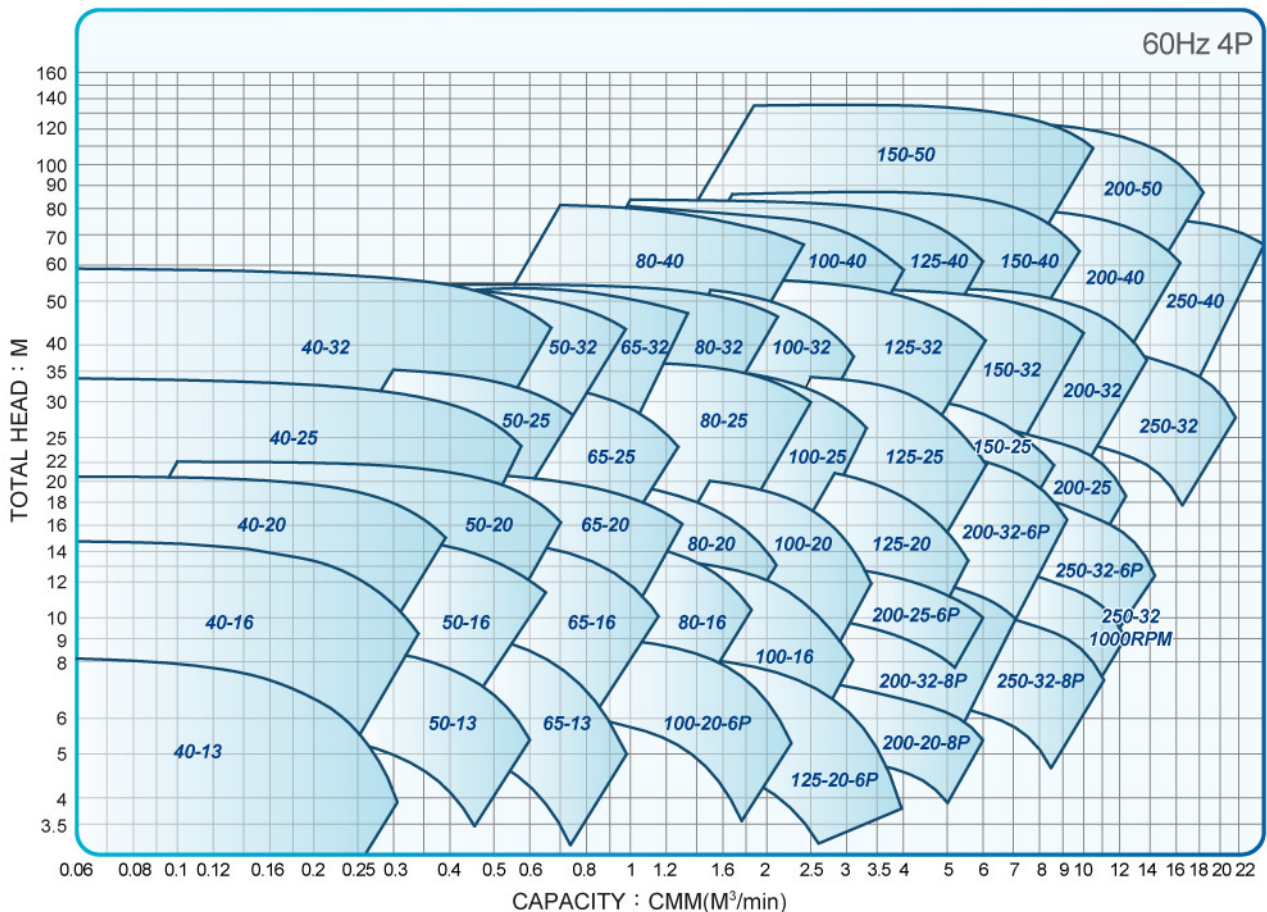
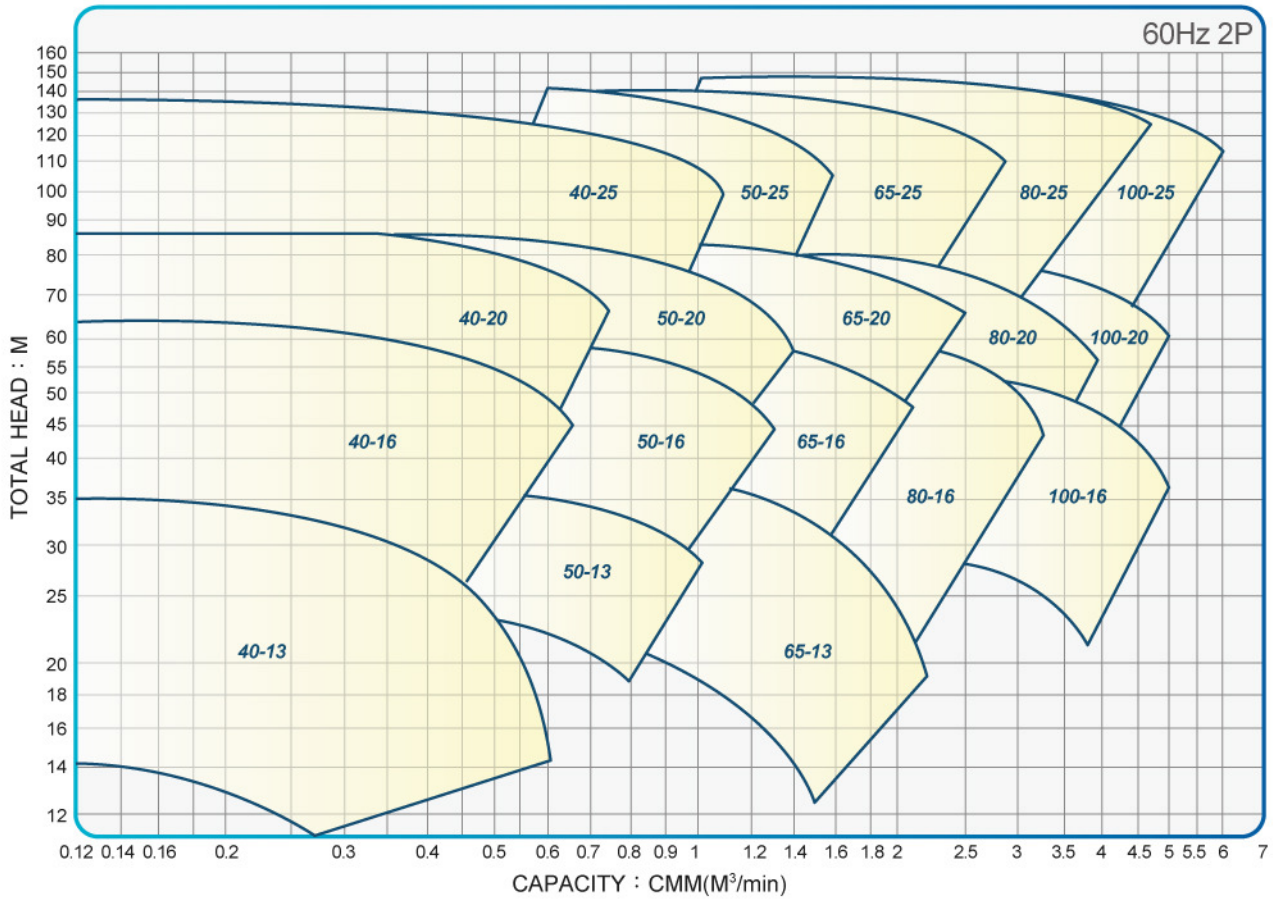
下列金屬材質請洽本公司 Please contact us for the following materials :

Ductile Iron, Cast Steel, SUS 316L, Alloy 20, Monel Alloy, Hastelloy, CD4MCU and Others.

SCH、SCK、SCD系列性能選擇表
 PERFORMANCE RANGES OF SCH、SCK、SCD SERIES



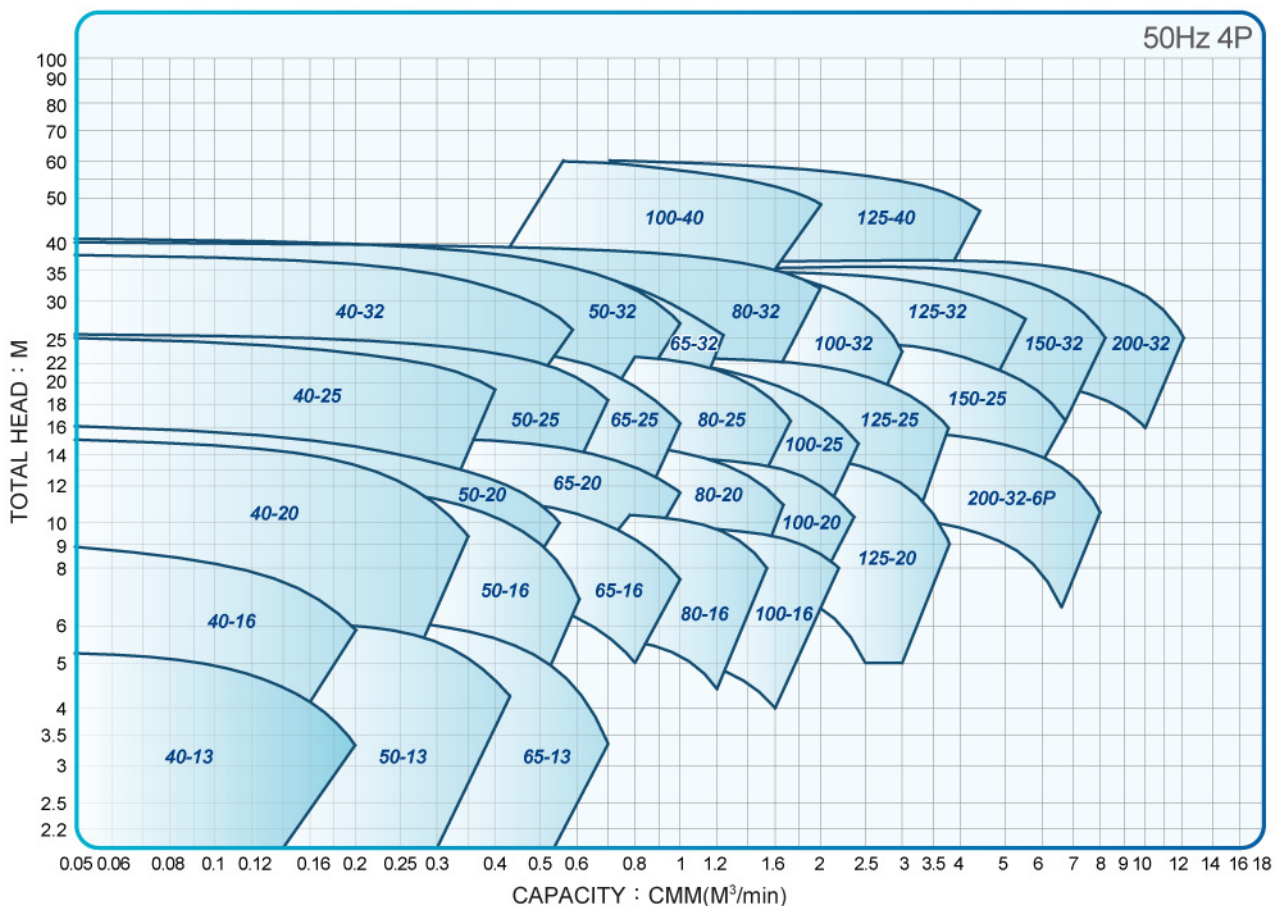
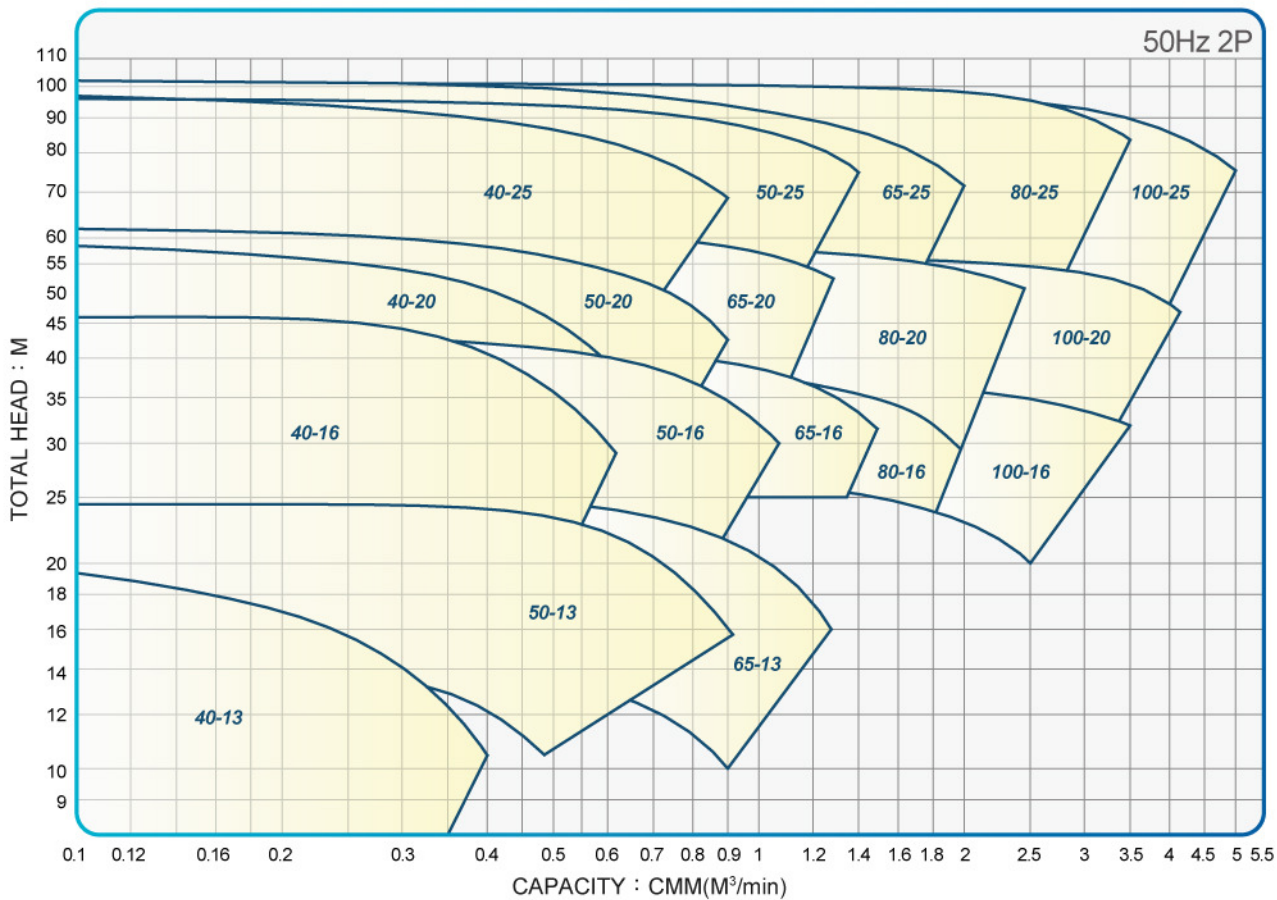
SCH、SCK、SCD系列性能選擇表 PERFORMANCE RANGES OF SCH、SCK、SCD SERIES



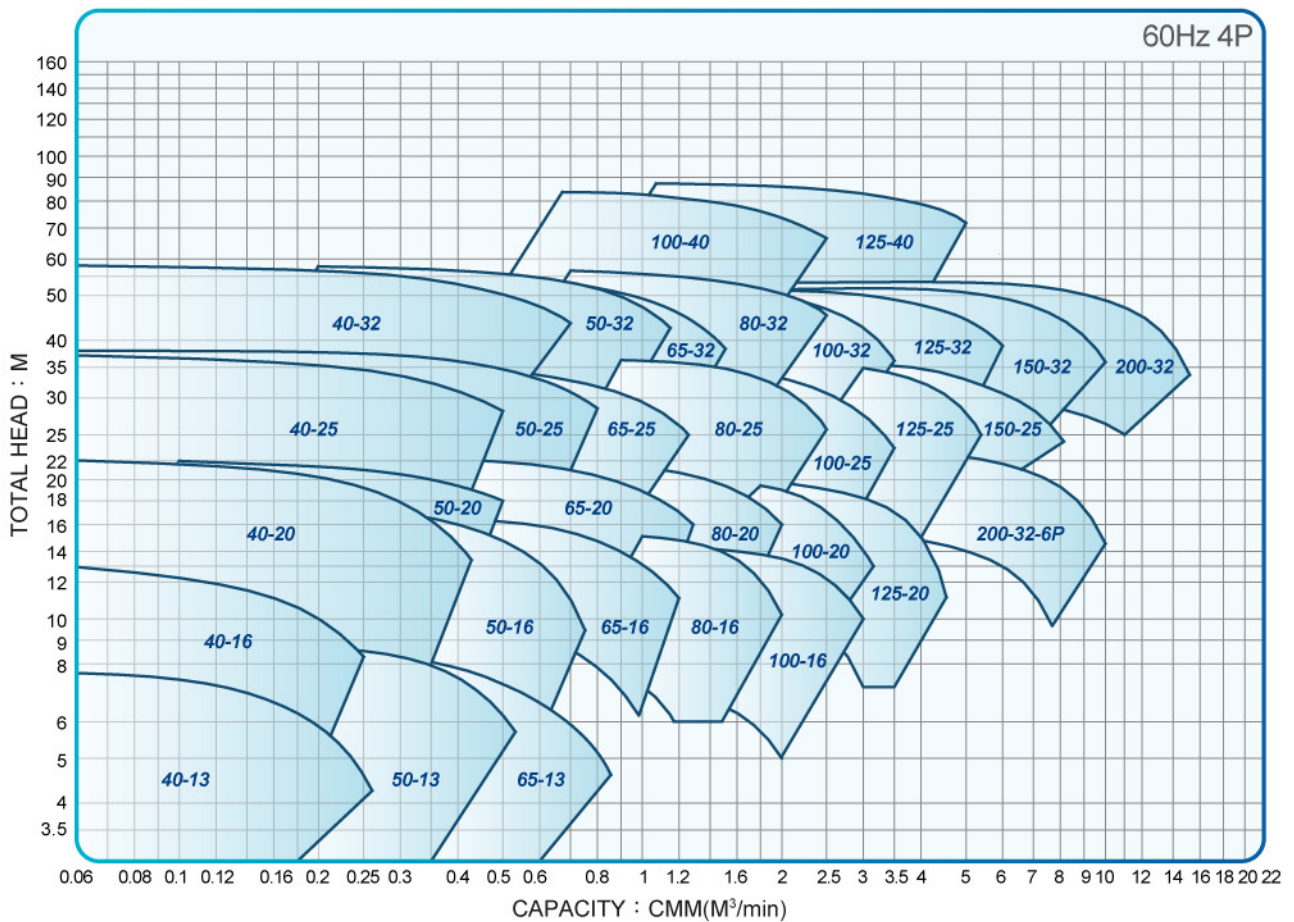
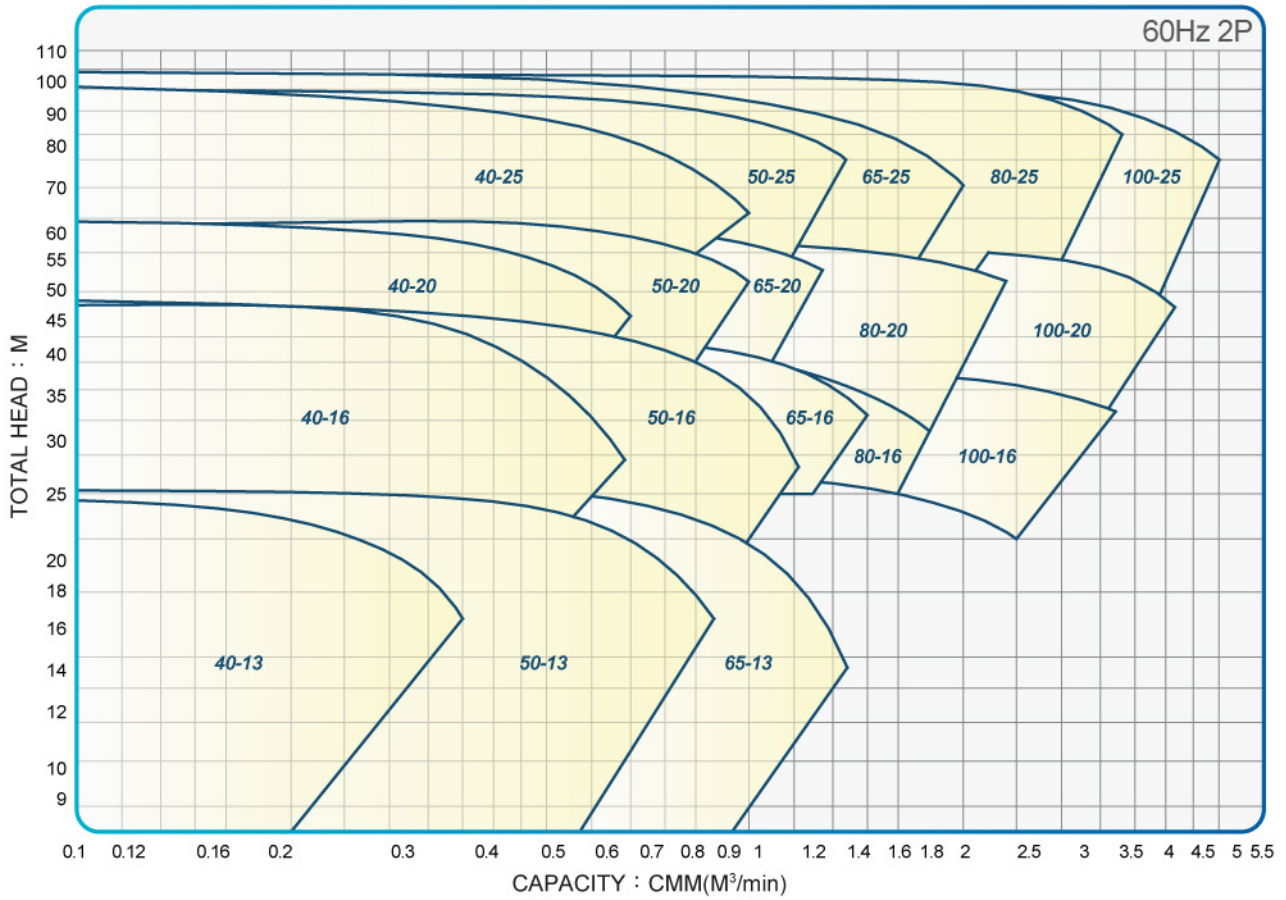
注意事項 Note :

■ SCK最大馬力100HP (75Kw) ◦ ■ Max motor power of SCK is 100HP (75Kw).

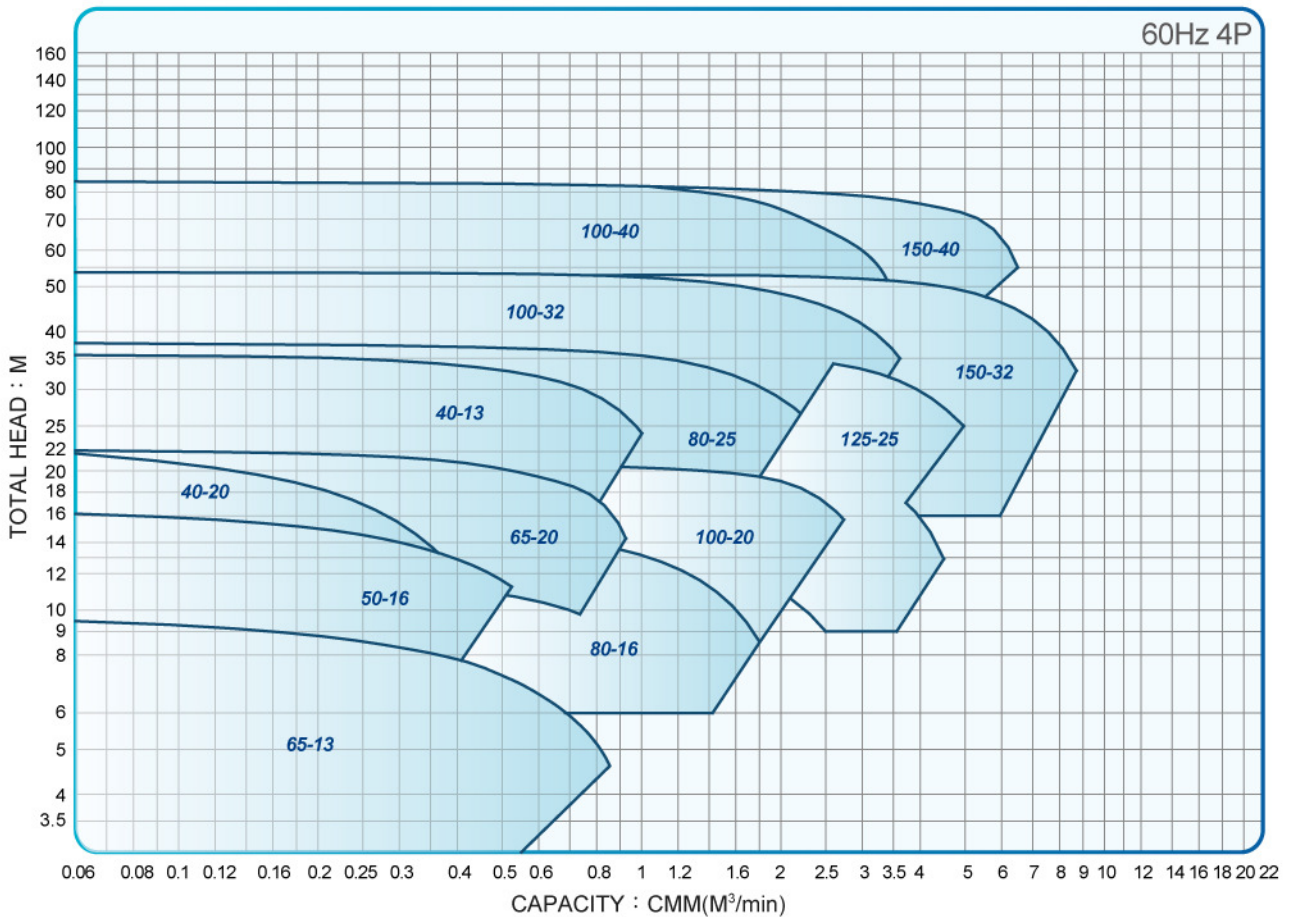
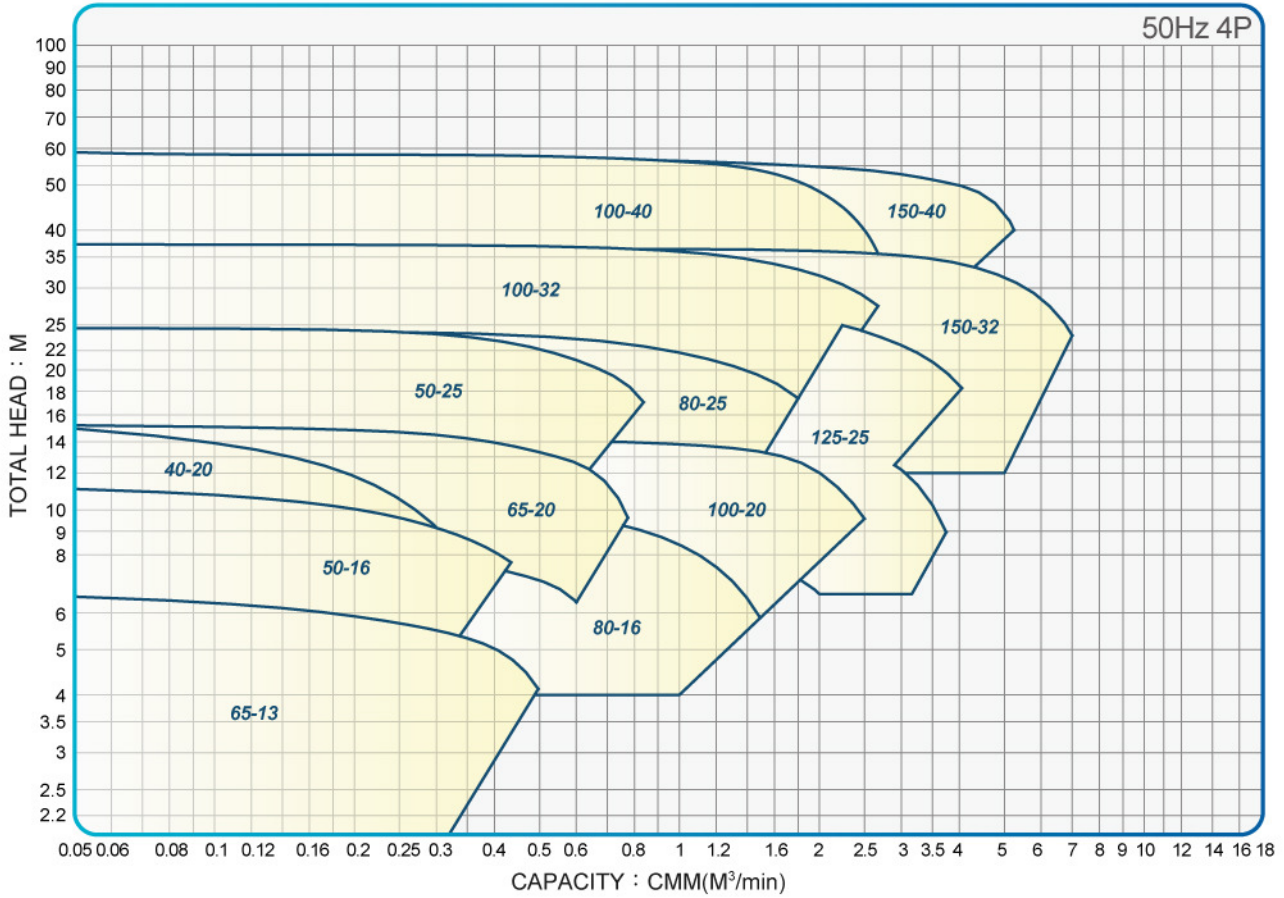
SOH系列性能選擇表 PERFORMANCE RANGES OF SOH SERIES



SOH系列性能選擇表 PERFORMANCE RANGES OF SOH SERIES



OH系列性能選擇表
PERFORMANCE RANGES OF OH SERIES

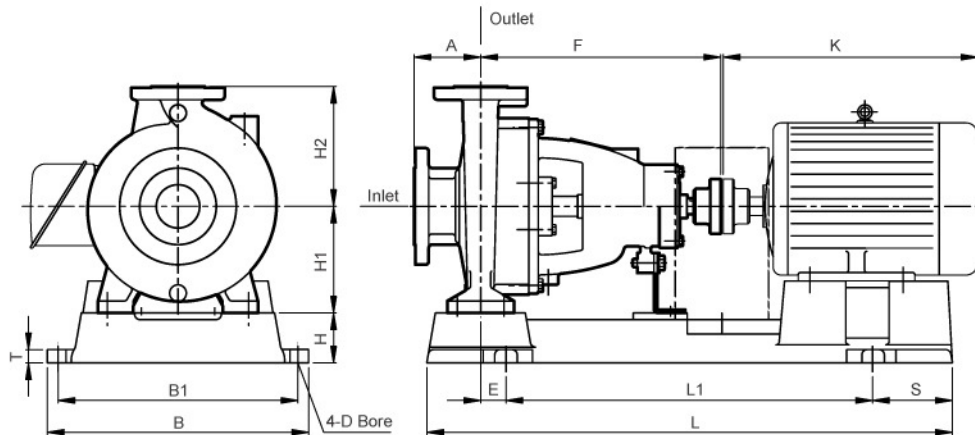


注意事項 Note :

■ 50Hz 2P、60Hz 2P性能表請洽本公司。

■ Please contact us for the performance curves of 50Hz 2P and 60Hz 2P.

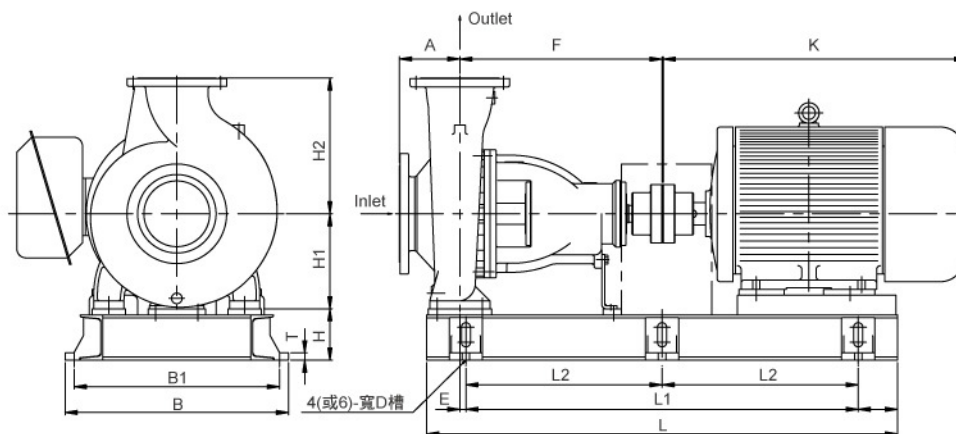
ChemPLUS 離心式製程泵浦外型尺寸圖
DIMENSION OF ChemPLUS CENTRIFUGAL PROCESS PUMP



適合SCH · SOH · SCD For SCH · SOH · SCD

泵浦型號 Pump Size	入口口徑 Inlet	出口口徑 Outlet	A	F	H1	H2	馬達框號 (IEC) Frame	L*	L1*	B	B1	H	E	D	S	T	K
32-13	2"	1.25"	80	360	112	140	71	658	450	312	280	60	38	15	104	20	239
40-13	2.5"	1.5"	80	360	112	140	80	684	500	312	280	60	26	15	92	20	272
							90L	720	500	312	280	60	44	15	110	20	322
							100L	760	550	312	280	65	38	15	105	20	363
							112M	764	550	352	320	65	41	15	107	20	382
32-16	2"	1.25"	80	360	132	160	80	688	500	352	320	60	28	15	94	20	272
40-16	2.5"	1.5"	80	360	132	160	90L	724	500	352	320	60	46	15	112	20	322
50-13	2.5"	2"	100	360	132	160	100L	762	550	352	320	65	40	15	106	20	363
							112M	768	550	352	320	65	42	15	109	20	382
							132S	844	600	372	340	70	55	15	122	20	446
							132M	844	600	372	340	70	55	15	122	20	484
							160M	983	700	420	380	108	67	15	142	20	604
							160L	983	700	420	380	108	67	15	142	20	648
32-20	2"	1.25"	80	360	160	180	80	706	500	392	360	60	25	15	103	20	272
							90L	742	500	392	360	60	42	15	121	20	322
							100L	782	550	392	360	65	37	15	116	20	363
							112M	789	550	392	360	75	39	15	120	20	382
							132S	860	600	392	360	70	51	15	130	20	446
							132M	860	600	392	360	70	50	15	130	20	484
							160M	991	700	420	360	80	64	19	146	25	604
							160L	991	700	420	380	80	64	19	146	25	648
							180M	1040	750	500	460	105	59	19	145	25	667
							180L	1040	750	500	460	105	59	19	145	25	705
32-25	2"	1.25"	100	360	180	225	90L	746	500	432	400	60	45	15	123	20	322
40-25	2.5"	1.5"	100	360	180	225	100L	786	550	432	400	65	39	15	118	20	363
50-25	2.5"	2"	100	360	180	225	112M	790	550	432	400	65	41	15	120	20	382
65-20	3"	2.5"	100	360	180	225	132S	864	600	432	400	70	53	15	132	20	446
80-16	4"	3"	125	360	180	225	132M	864	600	432	400	70	53	15	132	20	484
							160M	995	700	460	400	80	66	19	148	25	604
							160L	995	700	460	400	80	66	19	148	25	648
							180M	1037	750	480	440	85	61	19	144	25	667
							180L	1037	750	480	440	85	61	19	144	25	705
40-20	2.5"	1.5"	100	360	160	180	80	706	500	392	360	60	25	15	103	20	272
50-16	2.5"	2"	100	360	160	180	90L	742	500	392	360	60	42	15	121	20	322
50-20	2.5"	2"	100	360	160	200	100L	782	550	392	360	65	37	15	116	20	363
							112M	789	550	392	360	75	39	15	120	20	382
							132S	860	600	392	360	70	51	15	130	20	446
							132M	860	600	392	360	70	51	15	130	20	484
							160M	991	700	420	380	80	64	19	146	25	604
							160L	991	700	420	380	80	64	19	146	25	648
							180M	1040	750	500	460	105	59	19	145	25	667
							180L	1040	750	500	460	105	59	19	145	25	705
40-32	2.5"	1.5"	125	360	200	250	132S	845	600	463	430	70	43	15	123	20	446
							132M	845	600	463	430	70	43	15	123	20	484
							160M	989	700	462	430	80	63	19	145	25	604
							160L	989	700	462	430	80	63	19	145	25	648
50-32	3"	2"	125	360	225	280	112M	774	550	464	430	70	33	15	112	20	382
							132S	852	600	472	440	75	45	15	126	20	446
							132M	852	600	472	440	75	45	15	126	20	484
							160M	978	650	500	460	80	83	19	164	25	604
							160L	978	650	500	460	80	83	19	164	25	648
65-13	3"	2.5"	100	360	160	180	80	706	500	392	360	60	25	15	103	20	272
65-16	3"	2.5"	100	360	160	200	90L	742	500	392	360	60	42	15	121	20	322
							100L	782	550	392	360	65	37	15	116	20	363
							112M	78	550	392	360	75	39	15	120	20	382
							132S	860	600	392	360	70	51	15	130	20	446
							132M	860	600	392	360	70	51	15	130	20	484
							160M	991	700	420	380	80	64	19	146	25	604
							160L	991	700	420	380	80	64	19	146	25	648
							180M	1040	750	500	460	105	59	19	145	25	667
							180L	1040	750	500	460	105	59	19	145	25	705
80-20	4"	3"	125	470	180	250	132S	980	700	480	440	80	59	19	140	25	446
							132M	980	700	480	440	80	59	19	140	25	484
65-25	3"	2.5"	100	470	200	250	112M	932	650	540	500	85	39	19	141	25	382
80-25	4"	3"	125	470	200	280	132S	1006	700	540	500	80	53	19	153	25	446
100-16	5"	4"	125	470	200	250	132M	1006	700	540	500	80	53	19	153	25	484
100-20	5"	4"	125	470	200	280	160M	1136	800	540	500	95	67	19	168	25	604
							160L	1136	800	540	500	95	67	19	168	25	648
							180M	1175	850	540	500	95	62	19	163	25	667
							180L	1175	850	540	500	95	62	19	163	25	705

泵浦型號 Pump Size	入口口徑 Inlet	出口口徑 Outlet	A	F	H1	H2	馬達框號 (IEC) Frame	L*	L1*	B	B1	H	E	D	S	T	K
65-32	3"	2.5"	125	470	225	280	160M	1108	800	540	500	90	53	19	154	25	604
100-25	5"	4"	140	470	225	280	160L	1108	800	540	500	90	53	19	154	25	648
							180M	1152	800	540	500	95	74	19	176	25	667
							180L	1152	800	540	500	95	74	19	176	25	705
80-32	4"	3"	125	470	250	315	132S	1013	700	540	500	80	58	19	157	25	446
100-32	5"	4"	140	470	250	315	132M	1013	700	540	500	80	58	19	157	25	484
125-20	6"	5"	140	470	250	315	160M	1146	800	540	500	95	71	19	173	25	604
125-25	6"	5"	140	470	250	355	160L	1146	800	540	500	95	71	19	173	25	648
							180M	1183	850	540	500	95	64	19	168	25	667
							180L	1186	850	540	500	95	64	19	168	25	705



適合SCH · SOH · SCD For SCH · SOH · SCD

泵浦型號 Pump Size	入口口徑 Inlet	出口口徑 Outlet	A	F	H1	H2	馬達框號 (IEC) Frame	L*	L1*	L2	B	B1	H	E	D	S	T	K*
80-40	5"	3"	125	530	280	355	180M	1190	800		590	540	139	105	20	195	20	667
							180L	1190	800		590	540	139	105	20	195	20	705
							200LC	1250	800		590	540	139	135	20	225	20	798
100-40	5"	4"	140	530	280	355	160M	1160	800		650	600	145	70	20	180	20	604
125-32	6"	5"	140	530	280	355	160L	1160	800		650	600	145	70	20	180	20	648
150-25	8"	6"	160	530	280	375	180M	1200	800		650	600	145	90	20	200	20	667
							180L	1200	800		650	600	145	90	20	200	20	705
							200LC	1300	900		650	600	145	90	20	200	20	798
							225SC	1300	900		690	630	170	90	25	200	20	811
							250SC	1350	900		740	680	170	115	25	225	24	911
							250MC	1350	900		740	680	170	115	25	225	24	968
125-40	6"	5"	140	530	315	400	180M	1200	800		650	600	145	90	20	200	24	667
							180L	1200	800		650	600	145	90	20	200	20	705
							200LC	1280	900		650	600	145	80	20	190	20	798
							225SC	1300	900		690	630	170	90	25	200	20	811
							250SC	1420	1000		690	630	170	100	25	210	24	911
							250MC	1420	1000		690	630	170	100	25	210	24	968
150-32	8"	6"	160	530	315	400	180M	1200	800		700	650	145	90	20	220	24	667
150-40	8"	6"	160	530	315	450	180L	1200	800		700	650	145	90	20	220	20	705
200-32-1	8"	8"	200	530	315	450	200LC	1280	900		700	690	145	80	20	190	20	798
							225SC	1300	900		750	680	170	90	25	200	20	811
							250SC	1420	1000		740	680	170	100	25	210	24	911
							250MC	1420	1000		740	700	170	100	25	210	24	968
							280S	1480	1000		760	700	220	1360	25	240	24	1016
							280M	1480	1000		760	650	220	130	25	240	24	1067
200-25	8"	8"	180	530	355	450	180M	1200	800		700	650	145	90	20	200	24	667
							180L	1200	800		700	650	145	90	20	200	20	705
							200LC	1270	900		700	690	145	75	20	185	20	798
							225SC	1300	900		750	650	170	90	25	200	20	811
150-32-1	8"	6"	160	670	315	400	200LC	1410	1000		700	400	145	95	20	205	24	798
150-40-1	8"	6"	160	670	315	450	250SC	786		550	432	680	65	39	15	118	20	363
200-32	10"	8"	200	670	315	450	250MC	1560		650	740	680	170	20	25	130	20	968
200-40	10"	8"	180	670	355	500	250SC	1550		650	740	680	170	15	25	125	24	911
							250MC	1550		650	740	700	170	15	25	125	24	968
							280S	1620		700	760	700	220	0	25	110	24	1016
							280M	1620		700	760	800	220	0	25	110	24	1157
250-32	12"	10"	250	670	425	560	200LC	1440	1000		860	800	173	80	25	220	24	798
							250SC	1600		700	860	800	173	-40	25	110	24	911
							250MC	1600		700	860	810	173	-40	25	110	24	968
							280S	1650		700	870	810	223	-15	25	125	24	1016
							280M	1650		700	870	810	223	-15	25	125	24	1067
							315S		750	870	810	223	-15	25	125	24	1106	
							315M	1750		750	870	810	223	-15	25	125	24	1157
250-40	12"	10"	250	670	425	560	315S	1720		750	980	920	223	-30	25	110	24	1106
							315M	1720		750	980	920	223	-30	25	110	24	1157
150-50	8"	6"	180	670	375	500												

注意事項 Note :

- 本型錄產品規格因產品改良而有所變更時，恕不另行通知；如對外型尺寸有特殊需求時，訂購時請先確認，本表不做實際製造時依據。
- K：實際馬達長度請參考馬達製造廠規格表。
- L：底座使用四支基礎螺柱。L2：底座使用六支基礎螺柱。
- SCH、SOH、SCD三種外型尺寸均相同。

- Because we are constantly working to improve performance and upgrade our products, specifications and diagrammatic representation in this catalog may change without notice.
- K：Please inquiry the specifications of your motor manufacturer for actual motor length.
- L：Use 4 foundation bolts L1: Use 6 foundation bolts
- The dimensions of SCH, SOH and SCD are the same.

主要零件互換表

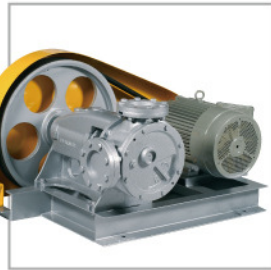
INTERCHANGEABILITY LIST OF SPARE PARTS

Pump size	32-13	40-13	32-16	32-20	32-25	40-16	40-20	40-25	40-32	50-13	50-16	50-20	50-25	50-32	65-13	65-16	65-20	80-16	65-25	65-32	80-20	80-25	80-32
Casing	1	2	3	4	5	6	7	8	9	10	11	12	13	14	15	16	17	18	19	20	21	22	23
Impeller	1	2	3	4	5	6	7	8	9	10	11	12	13	14	15	16	17	18	19	20	21	22	23
Adaptor	1		2		3	2		3	4		2		3	4		2			6	7	5	6	7
Shaft	1									2											3		
Bearing Bracket	1									2											3		

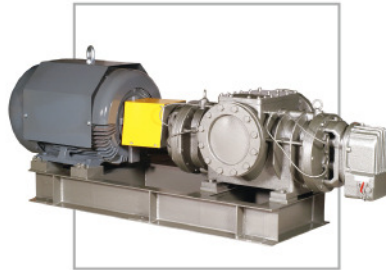
Pump size	100-16	100-20	100-25	100-32	125-20	125-25	80-40	100-40	125-32	125-40	150-25	150-32	150-40	200-25	200-32-1	150-32-1	150-40-1	150-50	200-32	200-40	250-32	250-40	
Casing	23	24	25	26	27	28	29	30	31	32	33	34	35	36	37	34	35	37	38	39	40	41	
Impeller	23	24	25	26	27	28	29	30	31	32	33	34	35	36	34	34	35	37	38	39	40	41	
Adaptor	5	6	7	6			10	9	10	8	9	10	11	9	9	9	10	12	13	14	15	14	
Shaft			3							2						5	6	7			6		
Bearing Bracket			3							4						5	6	7			6		



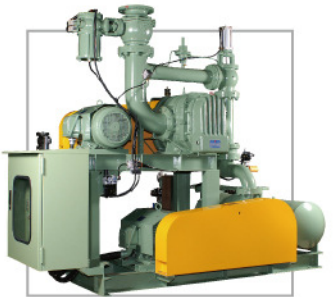
液封式真空泵
Liquid Ring Vacuum Pump



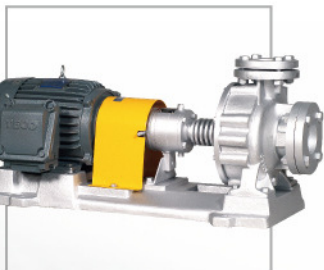
齒輪泵
Internal Gear Pump



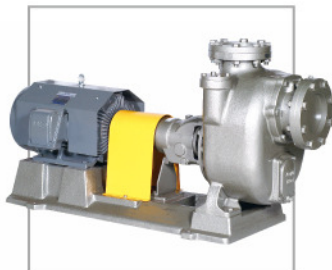
雙軸螺旋泵
Twin Screw Pump



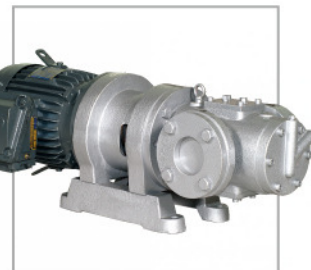
機械助力真空泵
Mechanical Booster Vacuum Pump



高溫熱媒泵
High Temperature Pump



製程級自吸泵
Self-priming Process Pump



三軸螺旋泵
Three Screw Pump



三錦機器股份有限公司
SUNNY KING MACHINERY CO., LTD

官方網址 | Official Website : www.sunny-king.com.tw
聯絡我們 | Contact Us : skpump@sunny-king.com.tw

■ **台北公司 Taipei Office** 104台北市中山區民生東路二段147巷5弄12號
No.12, Alley 5, Lane 147, Sec. 2, Minsheng E. Rd., Zhongshan District, Taipei City 104, Taiwan
Tel:+886-2-2509-0049 Fax:+886-2-2509-4194

■ **新莊廠 Xinzhuang Factory** 242新北市新莊區新樹路234巷1號
No.1 Lane 234 Xinshu Rd., Xinzhuang Dist., New Taipei City 242, Taiwan
Tel:+886-2-2202-0224~6 Fax:+886-2-2202-7354

■ **中壢廠 Zhongli Factory** 320桃園縣中壢市南園路16號(中壢工業區)
No.16, Nanyuan Rd., Zhongli City, Taoyuan County 320, Taiwan
Tel:+886-3-451-1969 Fax:+886-3-452-8602

地區經銷：

■ **台中 昌錦企業**
407台中市西屯區工業42路33號
Tel:+886-4-2359-4673 Fax:+886-4-2359-4723
E-mail:ccpump@ms57.hinet.net

■ **高雄 東震行**
807高雄市三民區中華二路199號
Tel:+886-7-321-1745~6 Fax:+886-7-321-1747
E-mail:t3211745@ms41.hinet.net

■ **昆山正錦精密机械有限公司**
215312江苏省昆山市巴城镇石牌京阪路1288号
Tel:0512-5782-3681~3 Fax:0512-5519-0466
E-mail:w-c@sunny-king.com.tw