



三 錦 泵 浦
SUNNY KING PUMPS

三 軸 式 螺 旋 泵 浦

Three-Screw Pump



三軸式螺旋泵浦 Three-Screw Pump

液體不受攪拌 *No Churning the Fluid*



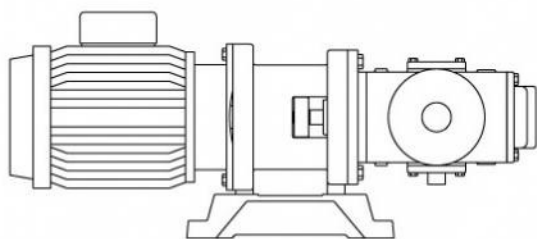
螺旋式泵浦輸送時不攪拌液體，因此液體特性不會因攪拌作用而改變。

The screw pump transfers fluid without churning it. Therefore, the fluid properties will not be changed by churning.

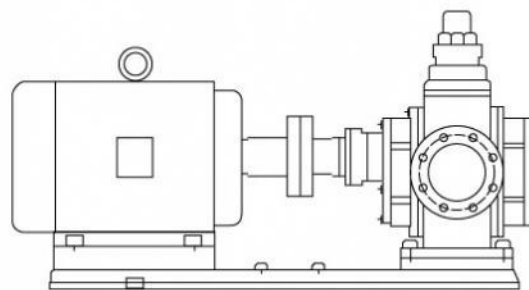
近乎無液體脈動 *Almost Free of Fluid Pulses*

螺旋泵浦的壓力振幅明顯低於齒輪泵浦，因此液體輸出幾乎無脈動。

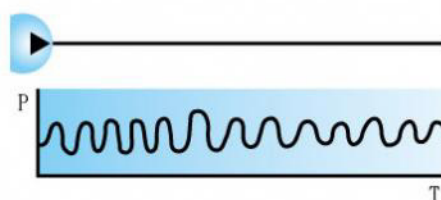
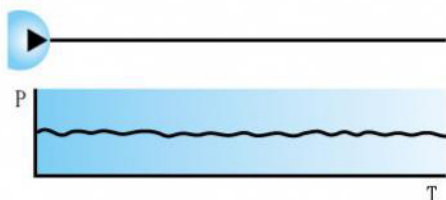
The pressure amplitude of screw pump is significantly lower than the gear pump. Therefore, the output fluid is almost free pulses.



螺旋式泵浦 Screw Pump



齒輪泵浦 Gear Pump

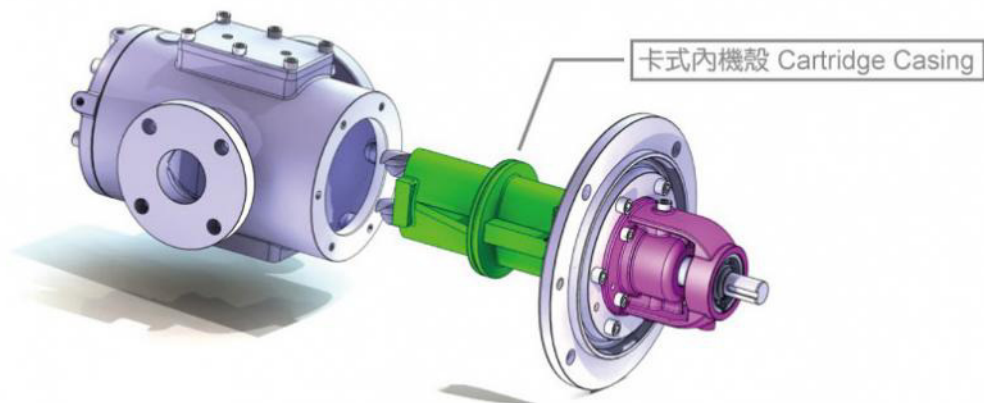


背向拉出概念 *Back-pull-out Concept*

卡式內機殼 *Back-pull-out Cartridge Casing*

CR/CRV螺旋泵浦為內外雙層機殼設計，當維修泵浦轉子僅將整組內機殼拉出，不必拆卸管路。

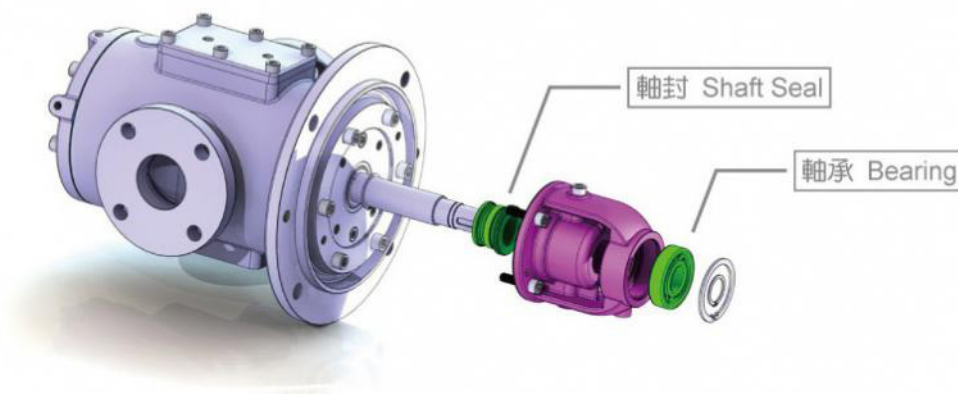
The three screw pump is an external/internal double casings design. When replacing pump screws, the engineer only need to pull out the cartridge casing assembly. It is free of removing pipeline.



後拆式軸承座 *Rear-release Bearing Bracket*

後拆式軸承座使維修軸承或軸封工作變得容易。工程師只需拆下軸承座，不須拆下內機殼即可更換。

The rear-release bearing bracket makes repair work quite easy. When replacing bearings or shaft seal, the engineer can only dismantle the bearing bracket of screw pump. It is no need to dismantle internal casing assembly.



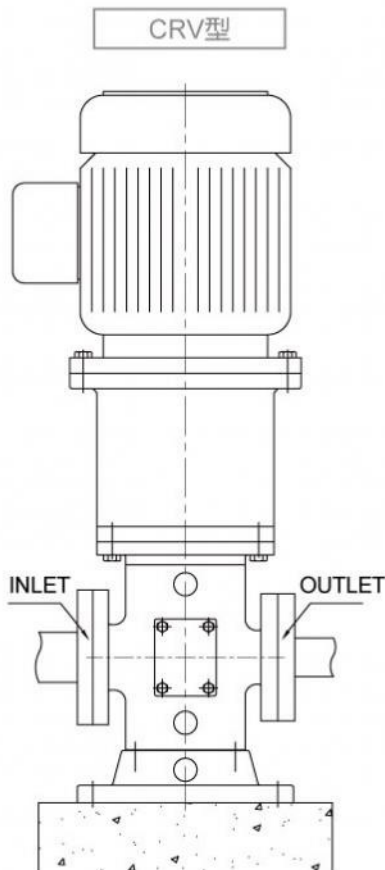
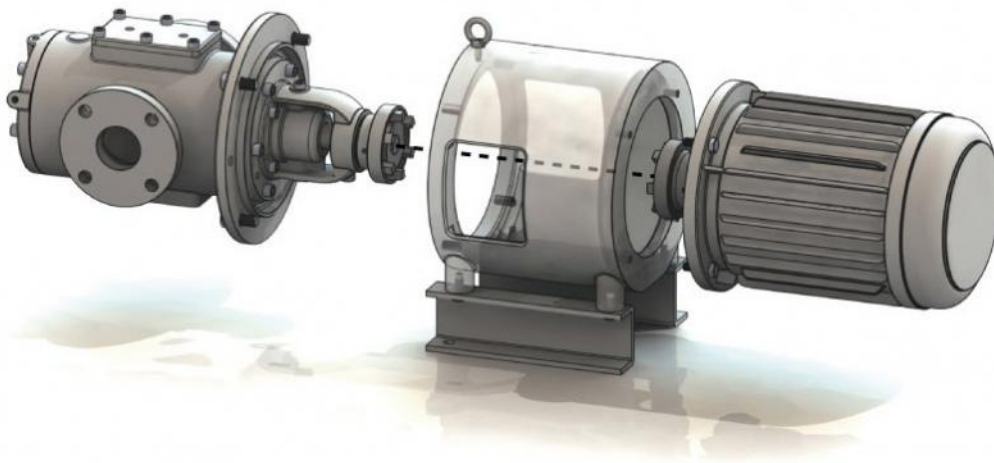
三軸式螺旋泵浦 Three-Screw Pump



免對心馬達連座 *Free-shaft-alignment Motor Adaptor*

CR/CRV螺旋泵浦的馬達連座利用特別設計的凸緣法蘭達到軸對心目的，此實用設計可減少維修及安裝工作。

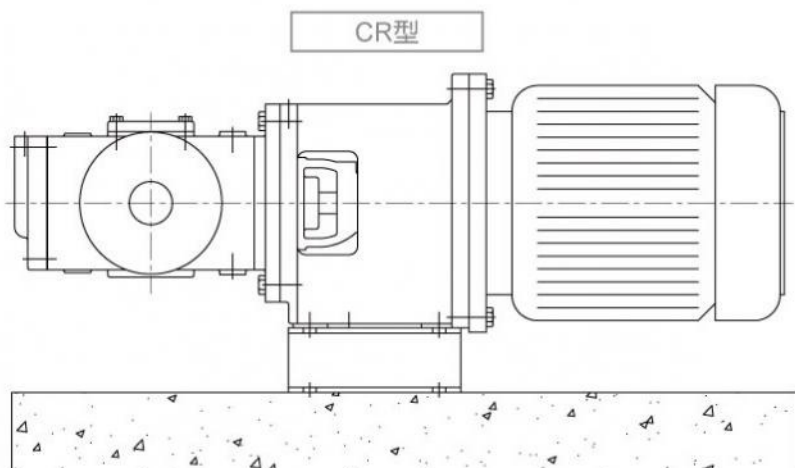
The motor adaptor of CR/CRV screw pumps achieve shaft alignment by utilizing a special raised flange. This useful design can save the work of pump/motor alignment.



彈性的安裝方式 *Flexible Installation*

三軸螺旋式泵浦具有CR臥式以及CRV立式兩種形式，以適用不同的管線配置方式。

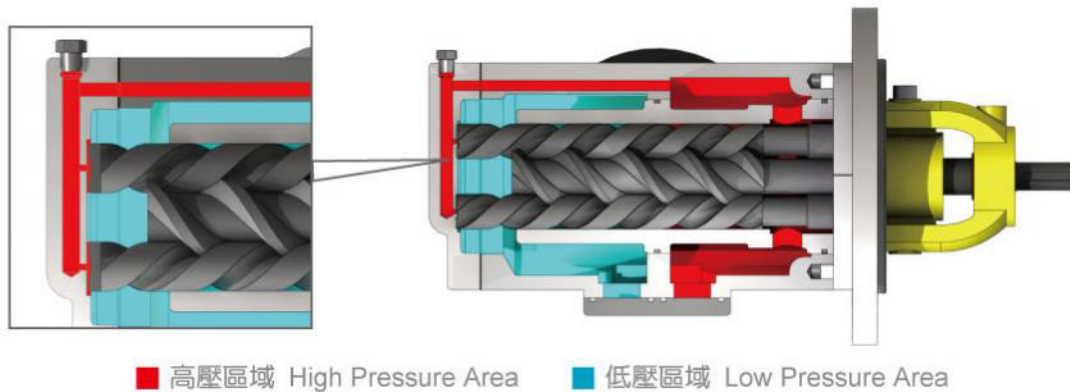
The three screw pump provides horizontal type (CR) and vertical installation type (CRV) to fit different pipeline arrangement.



水力平衡設計 *Hydraulic Balance Design*

三軸式螺旋泵的水力平衡孔可抵銷泵浦的軸向力。水力平衡孔設計使液體在螺旋轉子與機殼邊蓋之間形成液體潤滑面。螺旋轉子與機殼邊蓋於運轉時為非接觸狀態，也因此大幅延長了泵浦的壽命。

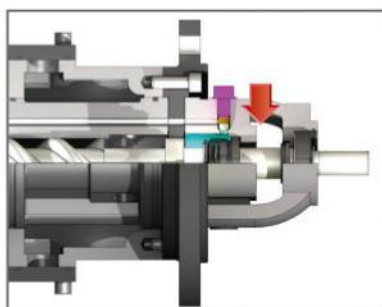
The hydraulic balance holes of three screw pump compensate the pump axial force. The design of hydraulic balancing holes forms a fluid lubrication surface between screws and casing end cover. It is non-contact status between screws and casing end cover during operation. Therefore, the pump life can be greatly extended.



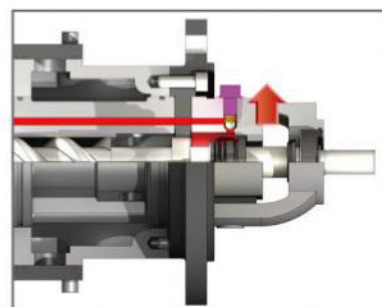
內藏式軸封壓力安全閥 *Built-in Shaft Seal Pressure By-pass Valve*

內藏式軸封壓力安全閥可讓軸封保持在正壓下工作。當液體壓力過大時，液壓會推開安全閥鋼珠，壓力安全閥會自動打開將液體回流至機殼入口，此設計可保護軸封及軸承壽命。

The built-in shaft seal pressure by-pass valve keeps the shaft seal working under positive pressure. When the fluid pressure is too high, the valve ball will be pushed up. The shaft seal pressure by-pass valve will open automatically. The fluid will flow back to pump inlet. So the design can protect shaft seal and bearing life.



液體壓力正常，安全閥關閉
Fluid pressure normal. Valve closed.



液體壓力過大，安全閥開啟
Fluid pressure too high. Valve opened.



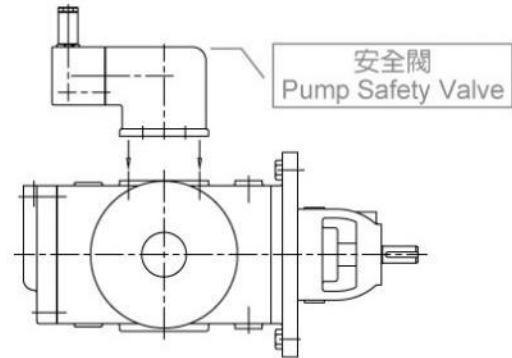
三軸式螺旋泵浦 Three-Screw Pump

選用附件 *Accessories*

泵浦安全閥 Pump Safety Valve

當壓力過大時，安全閥釋放過多的壓力至入口處使泵浦不致損壞。

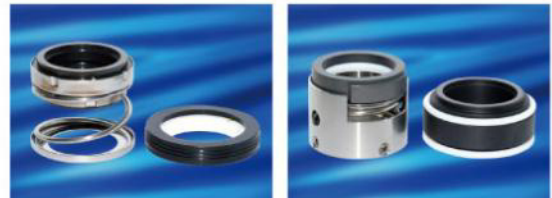
When the pump pressure is too high, the safety valve will open and release exceed fluid pressure to pump inlet to prevent pump damage.



機械軸封 Mechanical Shaft Seal

客戶可選用泛用機械軸封或是化工機械軸封。

Users can select universal mechanical seal or chemical mechanical seal.



型號說明 *Model Name Legend*

CR/CRV 08 1

Section A : CR-臥式安裝
CRV-立式安裝

Section B : 08-機殼尺寸

Section C : 1-S型螺旋轉子
2-L型螺旋轉子

Section A : CR-Horizontal Installation
CRV-Vertical Installation

Section B : 08-Casing Size

Section C : 1-S Type Screw
2-L Type Screw

產業應用 *Applications*

發電廠：燃油噴油、輸送、潤滑、加壓。

機械產業：液壓、潤滑、切削油輸送。

石油化學：油品生產、管線輸送、填充、火炬分液罐

造船／航運：輸送、增壓、燃油噴射、潤滑油泵浦、物料裝卸。

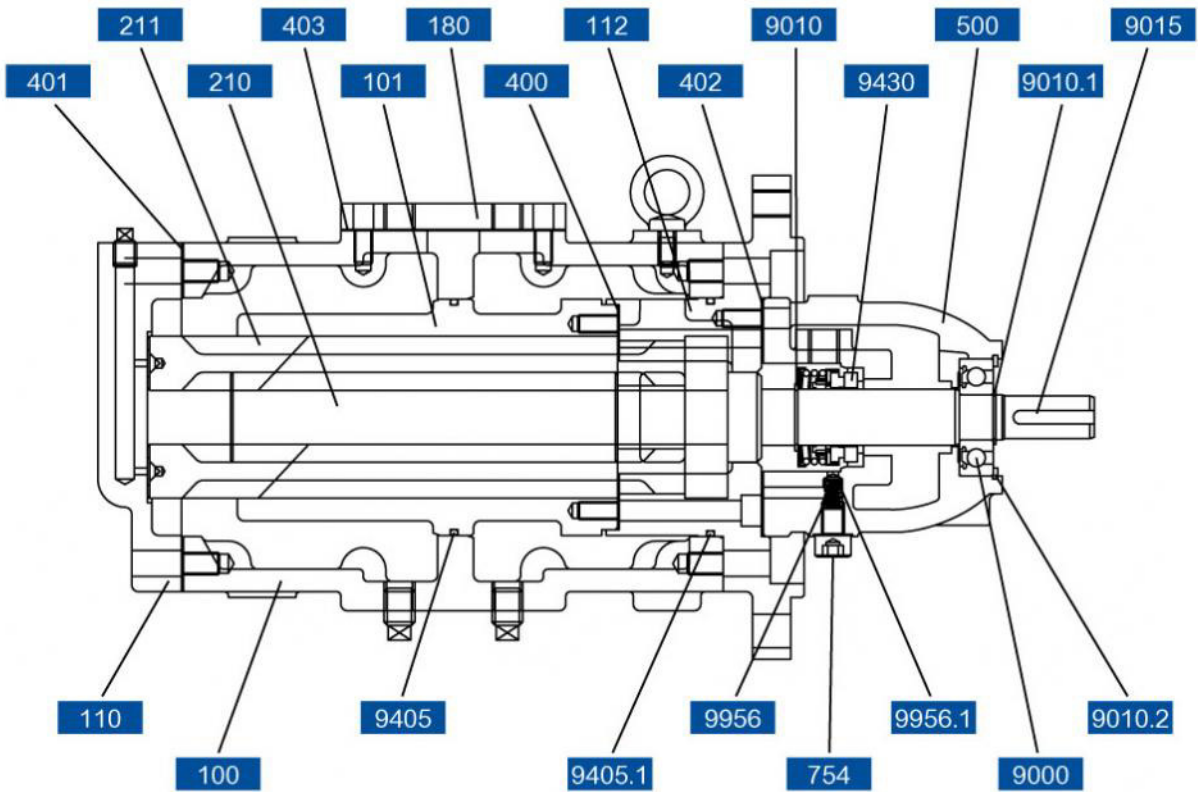
Power Generation : Fuel injection, Transfer, Lubrication, Boosting

Machinery : Hydraulic, Lubrication, Lathing oil forwarding

Petrochemical Industry : Oil production, Pipeline, Charge, Flare knock-out

Marine : Transfer, Boosting, Fuel injection, Lubrication, Cargo loading/ unloading

 內部結構 *Construction*

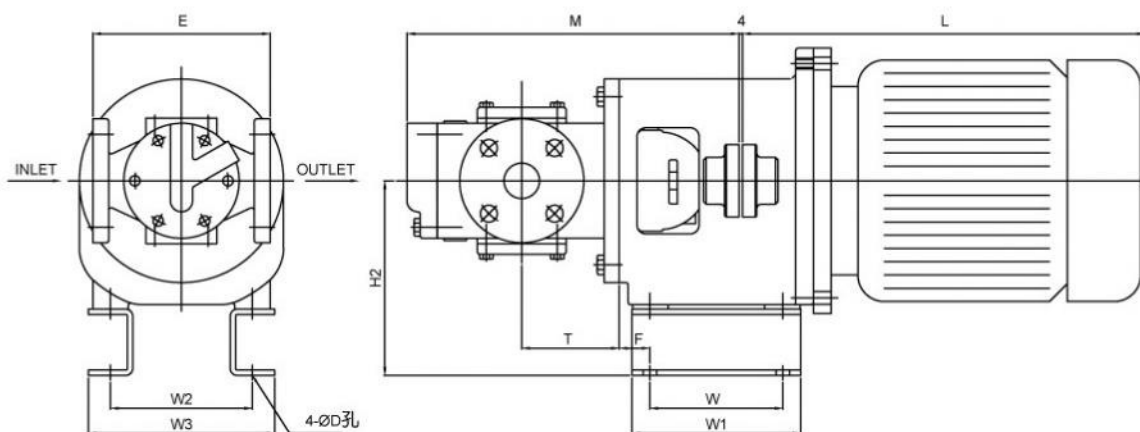


編號	零件名稱	PARTS NAME	編號	零件名稱	PARTS NAME
100	機殼	Casing	754	調整螺栓	Regulation Bolt
101	內機殼	Cartridge	9000	軸承	Bearing
110	邊蓋	Cover	9010	C扣環	Circlip
112	中間支座	Adaptor	9010.1	C扣環	Circlip
180	機殼蓋	Top Cover	9010.2	C扣環	Circlip
210	主動軸	Driving Screw	9015	鍵	Key
211	從動軸	Driving Screw	9405	O形環	O-ring
400	墊片	Gasket	9405.1	O形環	O-ring
401	墊片	Gasket	9430	機械軸封	Mechanical Seal
402	墊片	Gasket	9956	鋼珠	Valve Ball
403	墊片	Gasket	9956.1	彈簧	Valve Spring
500	軸承座	Bearing Bracket			



三軸式螺旋泵浦 Three-Screw Pump

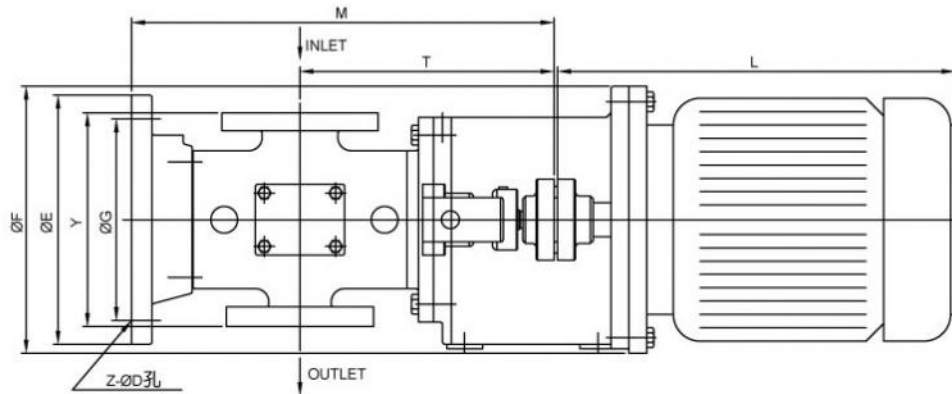
外型尺寸圖 Pump Dimensions : (CR Series)



單位 Unit : mm

TYPE	Inlet	Outlet	T	M	E	D	Frame	HP (2P)	HP (4P)	H2	W	W1	W2	W3	F	L
CR06	40	40	110	375	200	15	80		1	190	150	190	160	210	17	282
CR08	65	50	150	443	240	15	90L	2、3	2	190	150	190	160	210	17	371.5
							100L		3	190	150	190	160	210	17	374.5
							112M	5	5	190	150	190	160	210	17	431
							132S	7.5、10	7.5	220	250	300	160	210	34.5	454
							132M		10	220	250	300	160	210	34.5	492
CR10	80	65	165	540	300	15	112M	5	5	210	180	225	170	210	34	431
CR12	100	80	200	601	330	15	132S	7.5、10	7.5	240	400	500	210	250	52	454
CR14	125	100	250	680	360	15	132M		10	240	400	500	210	250	52	492
							160M	15、20	15	240	400	500	210	250	52	608
							160L	25	20	240	400	500	210	250	52	652
							180MA	30		270	400	500	240	290	52	672
							180MC		25、30	270	400	500	240	290	52	672
							180LA	40		270	400	500	240	290	52	710
							180LC		40	270	400	500	240	290	52	710
							200LA	50、60		310	400	500	240	290	52	774.5
CR16	125	100	250	775	390	19	132M		10	275	460	560	210	250	52	492
CR18	150	125	300	860	410	19	160M	20	15	275	460	560	210	250	52	608
CR20	150	125	340	930	440	19	160L	25	20	275	460	560	210	250	52	652
							180MA	30		275	460	560	240	290	52	672
							180MC	40	25、30	275	460	560	240	290	52	672
							180LA			275	460	560	240	290	52	710
							180LC		40	275	460	560	240	290	52	710
							200LA	50、60		275	460	560	240	290	52	774.5
							200LC		50、60	275	460	560	240	290	52	804.5
							225SA	75		350	500	600	300	350	60	786
							225SC		75	350	500	600	300	350	60	816
							250SA	100		350	500	600	300	350	60	882.5
							250SC	125	100	350	500	600	300	350	60	882.5
							250MA			350	500	600	300	350	60	890.5
							280S	150		400	500	600	300	350	60	1012

外型尺寸圖 Pump Dimensions : (CRV Series)



單位 Unit : mm

TYPE	Inlet	Outlet	T	M	E	G	Y	Z	D	Frame	HP (2P)	HP (4P)	F	L
CRV06 CRV08	40	40	245	405	190	160	200	4	15	80	2 - 3	1	230	282
	65	50	285	475	230	190	240	6	19	90L		2	230	371.5
										100L	3	250	374.5	
										112M	5	5	250	431
										132S	7.5 - 10	7.5	300	454
										132M	105	300	492	
CRV10 CRV12 CRV14	80	65	355	585	290	250	300	6	19	112M	5		330	431
	100	80	390	740	310	260	330	8	19	132S	7.5 - 10	7.5	330	454
	125	100	440	790	360	310	360	8	19	132M		10	330	492
										160M	15 - 20	15	350	608
										160L	25	20	350	652
										180MA	30		350	672
										180MC		25 - 30	400	672
										180LA	40		400	710
									180LC		40	400	710	
									200LA	50 - 60		450	774.5	



三軸式螺旋泵浦 Three-Screw Pump

型號性能表 (60Hz) Selection Guide (60Hz)

型號 TYPE	壓力 Kg/cm ²	轉速 1750RPM						轉速 3500RPM					
		黏度 20CP		黏度 100CP		黏度 500CP		黏度 20CP		黏度 100CP		黏度 500CP	
		流量 L/min	馬力 HP	流量 L/min	馬力 HP	流量 L/min	馬力 HP	流量 L/min	馬力 HP	流量 L/min	馬力 HP	流量 L/min	馬力 HP
CR061	5	29.86	0.64	31.97	0.85	33.38	1.25	66.09	1.47	68.19	2.06	69.60	3.20
	10	27.23	1.05	30.21	1.27	32.20	1.68	63.45	2.30	66.43	2.91	68.43	4.08
	15	25.20	1.46	28.85	1.69	31.30	2.11	61.43	3.13	65.08	3.76	67.52	4.96
	20	23.52	1.87	27.71	2.10	30.53	2.54	59.72	3.96	63.94	4.61	66.76	5.85
	NPSH(M)	1.71		1.97		2.64		2.25		2.62		3.59	
CR062	5	42.57	0.91	45.57	1.21	47.58	1.78	94.20	2.09	97.20	2.94	99.20	4.56
	10	38.83	1.50	43.07	1.81	45.90	2.39	90.45	3.28	94.69	4.15	97.53	5.81
	15	35.95	2.08	41.14	2.40	44.61	3.01	87.57	4.46	92.77	5.36	96.24	7.07
	20	33.52	2.67	39.52	3.00	43.53	3.62	85.15	5.64	91.14	6.57	95.15	8.33
	NPSH(M)	1.91		2.22		2.99		2.89		3.41		4.80	
CR081	5	66.11	1.27	69.26	1.66	71.36	2.40	141.71	2.90	144.86	4.00	146.96	6.09
	10	62.18	2.13	66.63	2.54	69.60	3.30	137.78	4.64	142.23	5.77	145.20	7.93
	15	59.17	2.99	64.61	3.41	68.25	4.20	134.77	6.37	140.21	7.54	143.85	9.78
	20	56.63	3.85	62.91	4.28	67.11	5.10	132.23	8.10	138.51	9.31	142.71	11.62
	NPSH(M)	1.87		2.16		2.91		2.74		3.22		4.50	
CR082	5	88.15	1.70	92.34	2.22	95.14	3.20	188.95	3.87	193.14	5.33	195.94	8.12
	10	82.91	2.85	88.84	3.38	92.80	4.40	183.71	6.18	189.64	7.70	193.60	10.58
	15	78.89	3.99	86.15	4.55	91.00	5.60	179.69	8.49	186.95	10.06	191.80	13.04
	20	75.50	5.14	83.88	5.71	89.49	6.80	176.30	10.80	184.68	12.42	190.29	15.50
	NPSH(M)	2.11		2.46		3.34		3.62		4.31		6.22	
CR101	5	129.02	2.30	133.24	2.95	136.06	4.19	270.77	5.20	274.99	7.04	277.81	10.55
	10	123.75	3.92	129.71	4.59	133.70	5.88	265.50	8.45	271.46	10.36	275.45	14.00
	15	119.70	5.53	127.01	6.23	131.89	7.57	261.45	11.70	268.76	13.69	273.64	17.46
	20	116.29	7.14	124.73	7.87	130.37	9.25	258.04	14.95	266.48	17.01	272.12	20.92
	NPSH(M)	2.01		2.33		3.16		3.23		3.83		5.45	
CR102	5	179.20	3.20	185.05	4.10	188.97	5.82	376.07	7.23	381.93	9.78	385.84	14.65
	10	171.88	5.44	180.16	6.38	185.69	8.17	368.75	11.74	377.03	14.40	382.57	19.45
	15	166.26	7.68	176.40	8.65	183.18	10.51	363.13	16.25	373.27	19.01	380.06	24.25
	20	161.52	9.92	173.23	10.93	181.06	12.85	358.39	20.76	370.11	23.62	377.94	29.06
	NPSH(M)	2.40		2.80		3.86		4.85		5.86		8.77	
CR121	5	253.53	4.31	259.69	5.46	263.81	7.65	525.66	9.68	531.82	12.94	535.94	19.13
	10	245.83	7.41	254.54	8.61	260.37	10.89	517.96	15.92	526.67	19.31	532.49	25.77
	15	239.93	10.50	250.59	11.75	257.73	14.13	512.05	22.15	522.72	25.69	529.85	32.41
	20	234.94	13.60	247.26	14.90	255.50	17.37	507.07	28.39	519.39	32.06	527.62	39.05
	NPSH(M)	2.33		2.73		3.75		4.57		5.50		8.18	
CR122	5	316.96	5.39	324.66	6.83	329.81	9.57	657.16	12.11	664.86	16.17	670.01	23.92
	10	307.34	9.26	318.52	10.76	325.50	13.62	647.54	19.90	658.42	24.14	665.70	32.22
	15	299.95	13.13	313.28	14.69	322.20	17.67	640.15	27.70	653.48	32.11	662.40	40.52
	20	293.72	17.00	309.12	18.63	319.42	21.71	633.92	35.49	649.32	40.08	659.62	48.82
	NPSH(M)	2.74		3.22		4.50		6.58		8.06		12.54	
CR141	5	408.82	6.73	416.58	8.44	421.77	11.71	841.07	15.03	848.83	19.88	854.02	29.12
	10	399.12	11.65	410.09	13.44	417.43	16.85	831.37	24.94	842.34	30.01	849.68	39.67
	15	391.67	16.56	405.12	18.43	414.10	22.00	823.92	34.84	837.37	40.14	846.35	50.22
	20	385.40	21.48	400.92	23.43	411.30	27.14	817.65	44.75	833.17	50.26	843.55	60.76
	NPSH(M)	2.59		3.05		4.23		5.82		7.09		10.86	
CR142	5	510.94	8.41	520.64	10.55	527.13	14.64	1051.17	18.79	1060.87	24.85		
	10	498.81	14.56	512.53	16.80	521.70	21.07	1039.04	31.17	1052.76	37.51		
	15	489.51	20.70	506.31	23.04	517.54	27.49	1029.73	43.55	1046.53	50.16		
	20	481.66	26.85	501.06	29.28	514.03	33.92	1021.88	55.92	1041.28	62.82		
	NPSH(M)	3.14		3.72		5.28		9.01		11.20			
CR161	5	635.48	10.21	645.26	12.72	651.80	17.50	1300.48	22.72	1310.26	29.82		
	10	623.26	17.77	637.09	20.41	646.33	25.41	1288.26	37.96	1302.09	45.40		
	15	613.88	25.34	630.81	28.09	642.14	33.33	1278.88	53.20	1295.81	60.98		
	20	605.97	32.90	625.52	35.77	638.60	41.24	1270.97	68.44	1290.52	76.56		
	NPSH(M)	2.97		3.51		4.95		7.94		9.81			
CR162	5	770.97	12.39	782.82	15.43	790.75	21.23	1577.72	27.57				
	10	756.15	21.56	772.91	24.76	784.12	30.83	1562.90	46.05				
	15	744.78	30.74	765.31	34.08	779.04	40.43	1551.53	64.54				
	20	735.20	39.92	758.90	43.40	774.75	50.03	1541.95	83.03				
	NPSH(M)	3.62		4.31		6.22		12.41					
CR181	5	921.67	14.54	933.46	18.01	941.34	24.61	1878.92	32.26	1890.71	42.07		
	10	906.94	25.43	923.60	29.07	934.75	36.01	1864.19	54.19	1880.85	64.50		
	15	895.63	36.31	916.04	40.13	929.69	47.40	1852.88	76.13	1873.29	86.92		
	20	886.10	47.20	909.67	51.19	925.43	58.79	1843.35	98.06	1866.92	109.35		
	NPSH(M)	3.37		4.00		5.73		10.57		13.23			
CR182	5	1105.31	17.43	1119.45	21.60	1128.91	29.52						
	10	1087.63	30.49	1107.63	34.86	1121.00	43.18						
	15	1074.06	43.55	1098.55	48.13	1114.93	56.84						
	20	1062.62	56.61	1090.90	61.39	1109.82	70.50						
	NPSH(M)	4.18		5.02		7.37							
CR201	5	1296.25	20.15	1310.33	24.85	1319.74	33.78						
	10	1278.65	35.38	1298.56	40.32	1311.87	49.71						
	15	1265.14	50.61	1289.52	55.79	1305.83	65.64						
	20	1253.75	65.84	1281.91	71.26	1300.74	81.57						
	NPSH(M)	3.89		4.65		6.77							
CR202	5	1525.00	23.71	1541.56	29.23	1552.64	39.74						
	10	1504.29	41.62	1527.71	47.43	1543.38	58.48						
	15	1488.40	59.54	1517.09	65.63	1536.27	77.22						
	20	1475.00	77.46	1508.13	83.83	1530.28	95.96						
	NPSH(M)	4.85		5.86		8.77							



型號性能表 (50Hz) Selection Guide (50Hz)

型號 TYPE	壓力 Kg/cm ²	轉速 1450RPM						轉速 2900RPM					
		黏度 20CP		黏度 100CP		黏度 500CP		黏度 20CP		黏度 100CP		黏度 500CP	
		流量 L/min	馬力 HP	流量 L/min	馬力 HP	流量 L/min	馬力 HP	流量 L/min	馬力 HP	流量 L/min	馬力 HP	流量 L/min	馬力 HP
CR061	5	23.65	0.51	25.76	0.67	27.17	0.97	53.67	1.17	55.77	1.62	57.18	2.47
	10	21.02	0.85	24.00	1.02	25.99	1.33	51.03	1.85	54.01	2.32	56.01	3.20
	15	18.99	1.19	22.64	1.36	25.09	1.68	49.01	2.54	52.66	3.02	55.10	3.92
	20	17.29	1.53	21.50	1.71	24.32	2.04	47.30	3.23	51.52	3.72	54.34	4.65
	NPSH(M)	1.64		1.89		2.51		2.04		2.37		3.21	
CR062	5	33.72	0.73	36.72	0.81	38.73	1.38	76.50	1.66	79.50	2.30	81.50	3.52
	10	29.98	1.21	34.22	1.30	37.05	1.89	72.75	2.64	76.99	3.30	79.83	4.56
	15	27.10	1.70	32.29	1.79	35.76	2.40	69.87	3.62	75.07	4.30	78.54	5.59
	20	24.67	2.19	30.67	2.28	34.68	2.90	67.45	4.60	73.44	5.30	77.45	6.63
	NPSH(M)	1.79		2.07		2.78		2.49		2.92		4.04	
CR081	5	53.15	1.02	56.30	1.32	58.40	1.87	115.79	2.32	118.94	3.14	121.04	4.72
	10	49.22	1.74	53.67	2.04	56.64	2.61	111.86	3.75	116.31	4.60	119.28	6.24
	15	46.21	2.45	51.65	2.76	55.29	3.36	108.85	5.18	114.29	6.07	117.93	7.75
	20	43.67	3.16	49.95	3.48	54.15	4.10	106.31	6.61	112.59	7.53	116.79	9.27
	NPSH(M)	1.76		2.03		2.72		2.39		2.79		3.85	
CR082	5	70.87	1.37	75.06	1.76	77.86	2.50	154.39	3.09	158.58	4.19	161.38	6.29
	10	65.63	2.31	71.56	2.72	75.52	3.49	149.15	5.00	155.08	6.14	159.04	8.31
	15	61.61	3.26	68.87	3.68	73.72	4.47	145.13	6.91	152.39	8.09	157.24	10.34
	20	58.22	4.21	66.60	4.64	72.21	5.46	141.74	8.82	150.12	10.04	155.73	12.36
	NPSH(M)	1.94		2.25		3.03		2.98		3.52		4.97	
CR101	5	104.72	1.86	108.94	2.52	111.76	3.28	222.17	4.16	226.39	5.55	229.21	8.19
	10	99.45	3.19	105.41	3.72	109.40	4.67	216.90	6.85	222.86	8.29	226.85	11.03
	15	95.40	4.52	102.71	5.19	107.59	6.06	212.85	9.53	220.16	11.03	225.04	13.88
	20	91.99	5.86	100.43	6.65	106.07	7.45	209.44	12.22	217.88	13.77	225.52	16.72
	NPSH(M)	1.86		2.16		2.90		2.72		3.21		4.48	
CR102	5	145.45	2.58	151.30	3.26	155.22	4.56	308.57	5.78	314.43	7.71	318.34	11.37
	10	138.13	4.43	146.41	5.14	151.94	6.49	301.25	9.51	309.53	11.51	315.07	15.32
	15	132.51	6.28	142.65	7.02	149.43	8.42	295.63	13.24	305.77	15.32	312.56	19.27
	20	127.77	8.13	139.48	8.90	147.31	10.35	290.89	16.97	302.61	19.12	310.44	23.23
	NPSH(M)	2.15		2.50		3.41		3.77		4.50		6.53	
CR121	5	206.88	3.48	213.04	4.35	217.16	6.00	432.36	7.76	438.52	10.21	442.64	14.88
	10	199.18	6.04	207.89	6.95	213.72	8.67	424.66	12.91	433.37	15.47	439.19	20.34
	15	193.28	8.60	203.94	9.54	211.08	11.34	418.75	18.07	429.42	20.73	436.55	25.80
	20	188.29	11.16	200.61	12.14	208.85	14.00	413.77	23.22	426.09	25.99	434.32	31.26
	NPSH(M)	2.10		2.45		3.33		3.59		4.28		6.18	
CR122	5	258.64	4.35	266.34	5.44	271.49	7.50	540.52	9.70	548.22	12.76	553.37	18.60
	10	249.02	7.55	259.90	8.68	267.18	10.84	530.90	16.14	541.78	19.34	549.06	25.43
	15	241.63	10.75	254.96	11.93	263.88	14.17	523.51	22.59	536.84	25.92	545.76	32.26
	20	235.40	13.95	250.80	15.18	261.10	17.51	517.28	29.03	532.68	32.49	542.98	39.08
	NPSH(M)	2.39		2.79		3.85		4.81		5.81		8.69	
CR141	5	334.72	5.43	342.48	6.73	347.67	9.19	692.87	12.06	700.63	15.72	705.82	22.68
	10	325.02	9.50	335.99	10.85	343.33	13.43	683.17	20.24	694.14	24.07	701.48	31.36
	15	317.57	13.57	331.02	14.98	340.00	17.67	675.72	28.43	689.17	32.43	698.15	40.03
	20	311.30	17.64	326.82	19.11	337.20	21.91	669.45	36.62	684.97	40.78	695.35	48.70
	NPSH(M)	2.29		2.67		3.66		4.36		5.24		7.74	
CR142	5	418.33	6.79	428.03	8.41	434.52	11.49	865.95	15.07	875.65	19.64	882.13	28.35
	10	406.20	11.88	419.92	13.57	429.09	16.79	853.82	25.30	867.54	30.08	876.71	39.19
	15	396.90	16.96	413.70	18.72	424.93	22.08	844.51	35.54	861.31	40.53	872.55	50.03
	20	389.05	22.04	408.45	23.88	421.42	27.38	836.66	45.77	856.06	50.97	869.04	60.87
	NPSH(M)	2.66		3.13		4.36		6.19		7.56		11.67	
CR161	5	521.48	8.25	531.26	10.15	537.80	13.75	1072.48	18.24	1082.26	23.60	1088.80	33.80
	10	509.26	14.51	523.09	16.50	532.33	20.27	1060.26	30.84	1074.09	36.45	1083.33	47.14
	15	499.88	20.77	516.81	22.84	528.14	26.79	1050.88	43.44	1067.81	49.31	1079.14	60.48
	20	491.97	27.03	511.52	29.19	524.60	33.31	1042.97	56.04	1062.52	62.16	1075.60	73.82
	NPSH(M)	2.55		2.99		4.15		5.59		6.80		10.36	
CR162	5	632.67	10.01	644.52	12.31	652.45	16.68	1301.12	22.13	1312.97	28.63	1320.06	39.63
	10	617.85	17.60	634.61	20.01	645.82	24.59	1286.30	37.42	1303.06	44.22	1315.06	51.32
	15	606.48	25.20	627.01	27.71	640.74	32.51	1274.93	52.70	1295.46	59.82	1312.06	68.03
	20	596.90	32.79	620.60	35.41	636.45	40.42	1265.35	67.98	1289.05	75.41	1308.06	85.74
	NPSH(M)	2.98		3.52		4.97		8.01		9.90		14.67	
CR181	5	757.57	11.76	769.36	14.38	777.24	19.36	1550.72	25.92	1562.51	33.32	1570.39	47.42
	10	742.84	20.77	759.50	23.52	770.65	28.75	1535.99	44.05	1552.65	51.83	1563.80	66.62
	15	731.53	29.78	751.94	32.65	765.59	38.13	1524.68	62.19	1545.09	70.33	1558.74	85.83
	20	722.00	38.78	745.57	41.79	761.33	47.52	1515.15	80.32	1538.72	88.83	1554.48	105.03
	NPSH(M)	2.82		3.32		4.66		7.03		8.64		13.56	
CR182	5	908.51	14.10	922.65	17.24	932.11	23.22	1859.71	31.08	1873.85	39.96	1887.03	51.36
	10	890.83	24.91	910.83	28.20	924.20	34.47	1842.03	52.83	1862.03	62.15	1882.03	77.15
	15	877.26	35.71	901.75	39.16	918.13	45.73	1828.46	74.58	1852.95	84.35	1882.03	103.15
	20	865.82	46.51	894.10	50.12	913.02	56.99	1817.02	96.33	1845.30	106.54	1882.03	133.15
	NPSH(M)	3.35		3.98		5.69		10.42		13.04		19.67	
CR201	5	1066.75	16.31	1080.83	19.85	1090.24	26.59	2176.00	35.87	2190.08	45.88	2204.16	58.88
	10	1049.15	28.91	1069.06	32.63	1082.37	39.72	2158.40	61.23	2178.31	71.76	2204.16	88.88
	15	1035.64	41.51	1060.02	45.41	1076.33	52.84	2144.89	86.59	2169.27	97.64	2204.16	118.88
	20	1024.25	54.11	1052.41	58.19	1071.24	65.97	2133.50	111.96	2161.66	123.51	2204.16	148.88
	NPSH(M)	3.16		3.74		5.32		9.13		11.36		17.15	
CR202	5	1255.00	19.19	1271.56	23.35	1282.64	31.28	2560.00	42.20	2576.00	53.12	2592.00	67.00
	10	1234.29	34.01	1257.71	38.39	1273.38	46.72	2539.29	72.04	2564.29	88.00	2592.00	103.00
	15	1218.40	48.83	1247.09	53.43	1266.27	62.17	2523.40	101.88	2554.40	118.00	2592.00	139.00
	20	1205.00	63.65	1238.13	68.46	1260.28	77.61	2510.00	131.71	2545.00	148.00	2592.00	175.00
	NPSH(M)	3.77		4.50		6.53		13.61		16.61		23.61	

注意事項 Note :

本型錄產品規格因產品改良而有所變更時，恕不另行通知，訂購時請先確認。

Because we are constantly working to improve performance and upgrade our products, specifications and diagrammatic representation in this catalog may change without notice.



客製化開發專案 Customized Development Services

本公司具有豐富客製化產品經驗，可針對客戶專用產品提供客製化專案開發服務。如您需要的產品規格不在型錄中或是有特別使用條件（例如特高壓力、特高黏度，或是更大或更小流量需求），請向本公司業務部門或是技術部門洽詢相關細節。

We are well experienced in customized products. Customized Development Services can be provided for exclusive products owned by the customer. In case your application is not covered by the products listed in our catalog or is subject to special operation requirements (such as ultra high pressure, ultra high viscosity, or for very large or very small flow rates), please consult our Sales Department or Technical Department for further assistance.

其他產品 Other Products



液封式真空泵浦
Liquid Ring Vacuum Pump



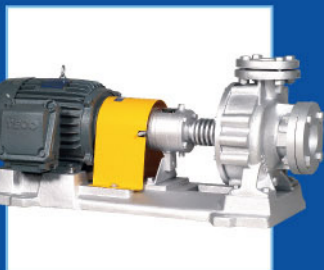
齒輪泵浦
Internal Gear Pump



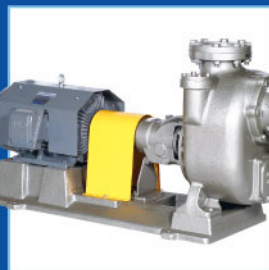
雙軸螺旋泵浦
Twin Screw Pump



機械助力真空泵
Mechanical Booster Vacuum Pump



高溫熱媒泵浦
High Temperature Pump



製程級自吸泵
Self-priming Process Pump



離心式製程泵浦
Centrifugal Process Pump



三錦機器股份有限公司
SUNNY KING MACHINERY CO., LTD

| 官方網址 | Official Website : www.sunny-king.com.tw
| 聯絡我們 | Contact Us : skpump@sunny-king.com.tw

■ **台北公司 Taipei Office** 104台北市中山區民生東路二段147巷5弄12號
No.12, Alley 5, Lane 147, Sec. 2, Minsheng E. Rd., Zhongshan District, Taipei City 104, Taiwan
Tel:+886-2-2509-0049 Fax:+886-2-2509-4194

■ **新莊廠 Xinzhuang Factory** 242新北市新莊區新樹路234巷1號
No.1 Lane 234 Xinshu Rd., Xinzhuang Dist., New Taipei City 242, Taiwan
Tel:+886-2-2202-0224~6 Fax:+886-2-2202-7354

■ **中壢廠 Jhongli Factory** 320桃園縣中壢市南園路16號(中壢工業區)
No.16, Nanyuan Rd., Zhongli City, Taoyuan County 320, Taiwan
Tel:+886-3-451-1969 Fax:+886-3-452-8602

地區經銷：

■ **台中 昌錦企業**
407台中市西屯區工業42路33號
Tel:+886-4-2359-4673 Fax:+886-4-2359-4723
E-mail:ccpump@ms57.hinet.net

■ **高雄 東震行**
807高雄市三民區中華二路199號
Tel:+886-7-321-1745~6 Fax:+886-7-321-1747
E-mail:t3211745@ms41.hinet.net

■ **昆山正錦精密机械有限公司**
215312江苏省昆山市巴城镇石牌京阪路1288号
Tel:0512-5782-3681~3 Fax:0512-5519-0466
E-mail:w-c@sunny-king.com.tw