



**三 錦 泵 浦**  
**SUNNY KING PUMPS**

**ST 旋葉式衛生泵**

***ST Rotary Lobe Sanitary Pump***





拋光處理的機殼表面、容易清洗的易拆式邊蓋，適合CIP、SIP的製程應用。

Polished casing surface and easy-to-clean detachable side cover are suitable for applications in Clean-in-Place (CIP) and Sanitary-in-Place (SIP) processes.



非接觸轉子：轉子與轉子間不會產生金屬接觸，不會產生金屬碎屑，安全性高。

Non-contact Rotors: There is no metal contact between rotors, so that no metal chip is produced to achieve high safety.



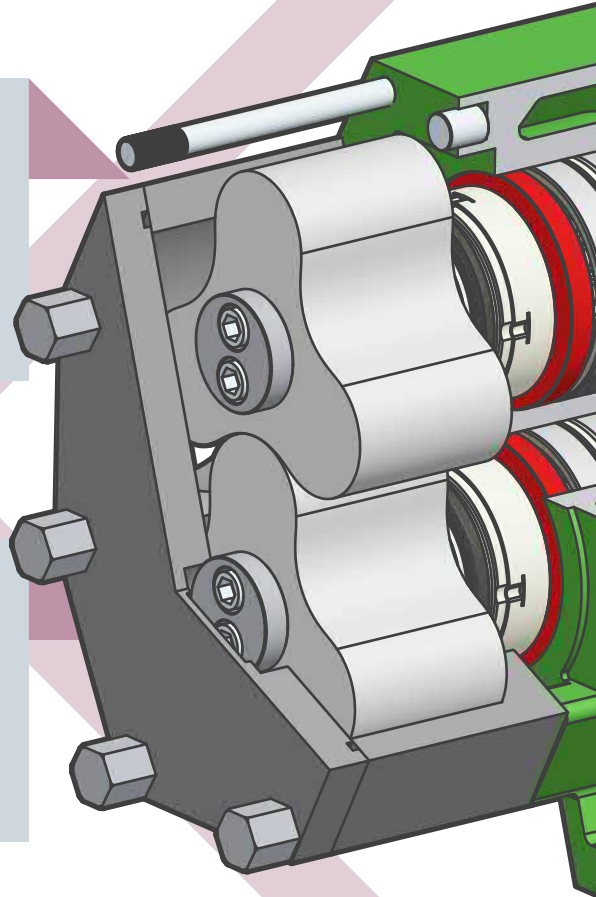
軸與轉子使用花鍵接合方式，受力均勻，適合定心精度要求高、載荷大、壓力變化較大的使用條件。

Both shaft and rotor adopting a splint joint method and receiving forces uniformly are suitable for the using conditions that require high centering precision, large load, and large pressure change.



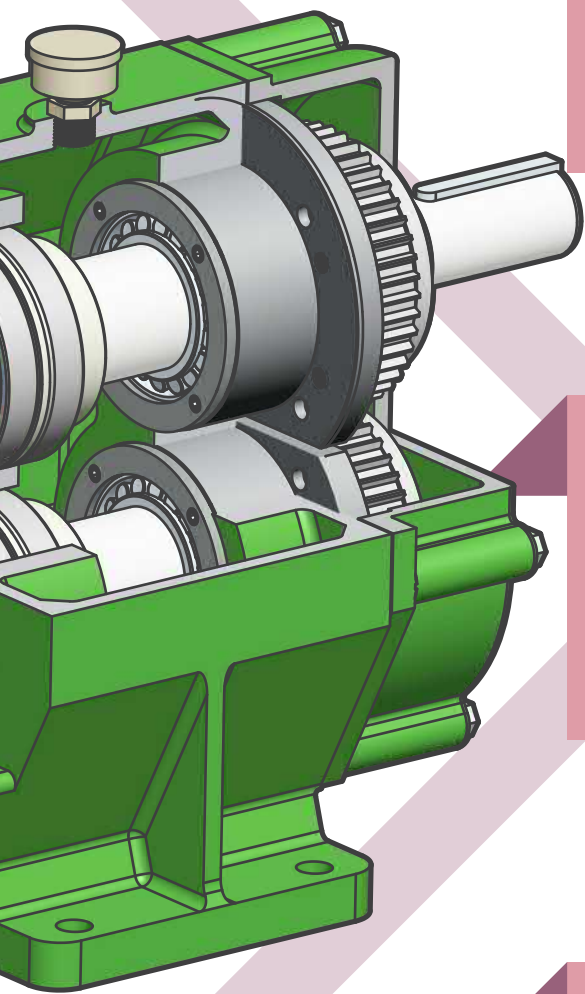
邊蓋螺帽：標準為袋帽螺帽，可選用翼型螺帽。

End Cover Nut: Cap nut is standard, and winged nut is optional.



# ST 旋葉式衛生泵產品特點

## Product Features of ST Rotary Lobe Sanitary Pump

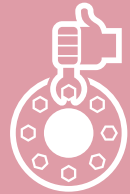


適用多種的接口配管：可選用法蘭式、夾接式、螺牙式的接口

- 法蘭式：JIS10K, ANSI#150lb ANSI#300lb, PN10, PN16
- 夾接式：3A, ISO, SMS,DIN
- 螺牙式：SMS, IDF, PT, NPT

Connector fitting is applicable for various specifications: Flanged, Quick Clamped, or Thread Connecting fitting can be chosen for use.

- Flanged : JIS 10K, ANSI#150lb ANSI#300lb, PN10, PN16
- Quick Clamped : 3A, ISO, SMS,DIN
- Thread connecting : SMS, IDF, PT, NPT



方便維修的外裝式平衡型軸封：外裝設計方便維修，平衡式軸封對於較高壓力環境下使用壽命佳。  
※備註：可選用唇型軸封

Front-loading balance type shaft seal is convenient to maintain, and the front-loading design facilitates repair and maintenance, and the balance type shaft seal provides a long service life under a high pressure environment.  
※Note: The lip seal can be chosen for use.



可双向運轉：泵浦可順時針或逆時針運轉，增加使用方便性。

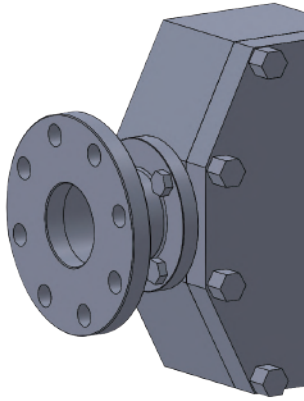
※備註：在高壓重負荷使用條件下，軸心結構需做進一步強化，此時將改為單方向運轉。

Bidirectional Operation: The pump can rotate clockwise or counterclockwise to improve the convenience of use.

※Note: Under the conditions of high pressure and heavy load, it is necessary to strengthen the shaft structure, and change the bidirectional operation to the unidirectional operation.

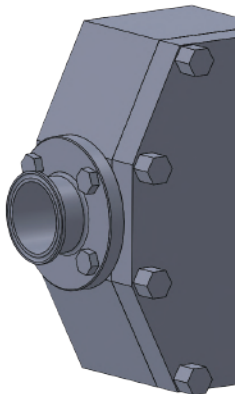


## 配管方式 Pipe Fitting



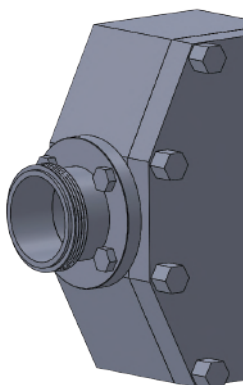
### 法蘭式 Flanged

JIS10K, ANSI#150lb ANSI#300lb,  
PN10, PN16



### 夾接式 Quick Clamped

3A, ISO, SMS, DIN



### 螺牙式 Thread Connecting

SMS, IDF, PT, NPT





製藥  
Pharmaceutical

藥膏、藥霜、葡萄糖  
Paste, Icing, Glucose



化妝品  
Cosmetics

美容乳霜、牙膏、洗髮精、清潔液、乳液  
Beauty Creams, Toothpaste, Shampoo, Detergent,  
Lotion



化學品  
Chemical

塗料、聚合物、樹脂、脂肪酸  
Paints, Enamels, Polymers, Resins, Acids



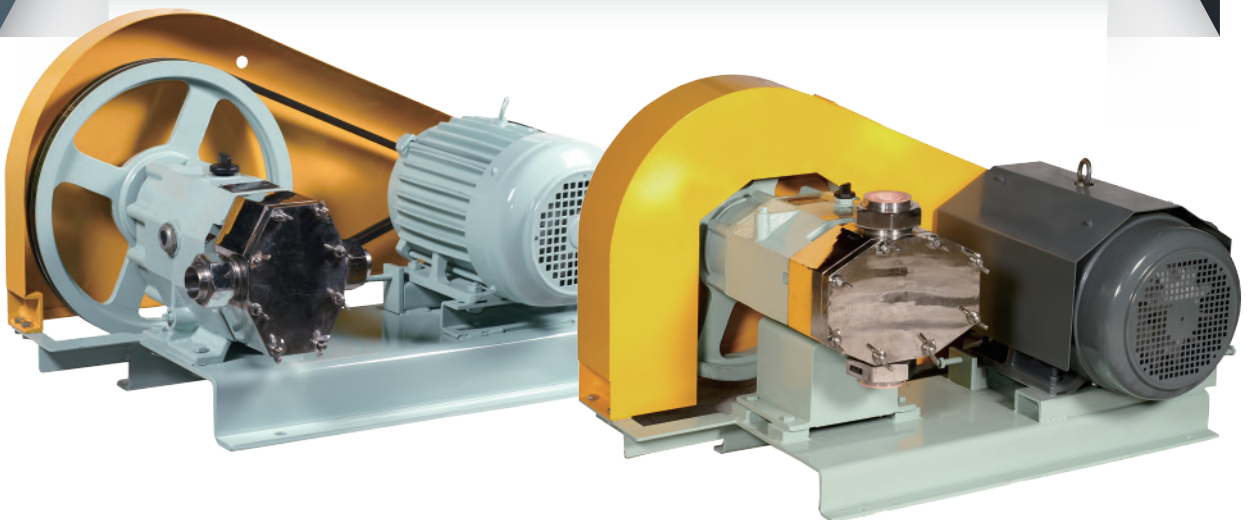
飲料  
Beverage

酒、酒精、啤酒、氣泡飲料、糖漿、茶、果汁  
Wine, Alcohol, Beer, Soft Drink, Syrup, Tea, Fruit  
Juice



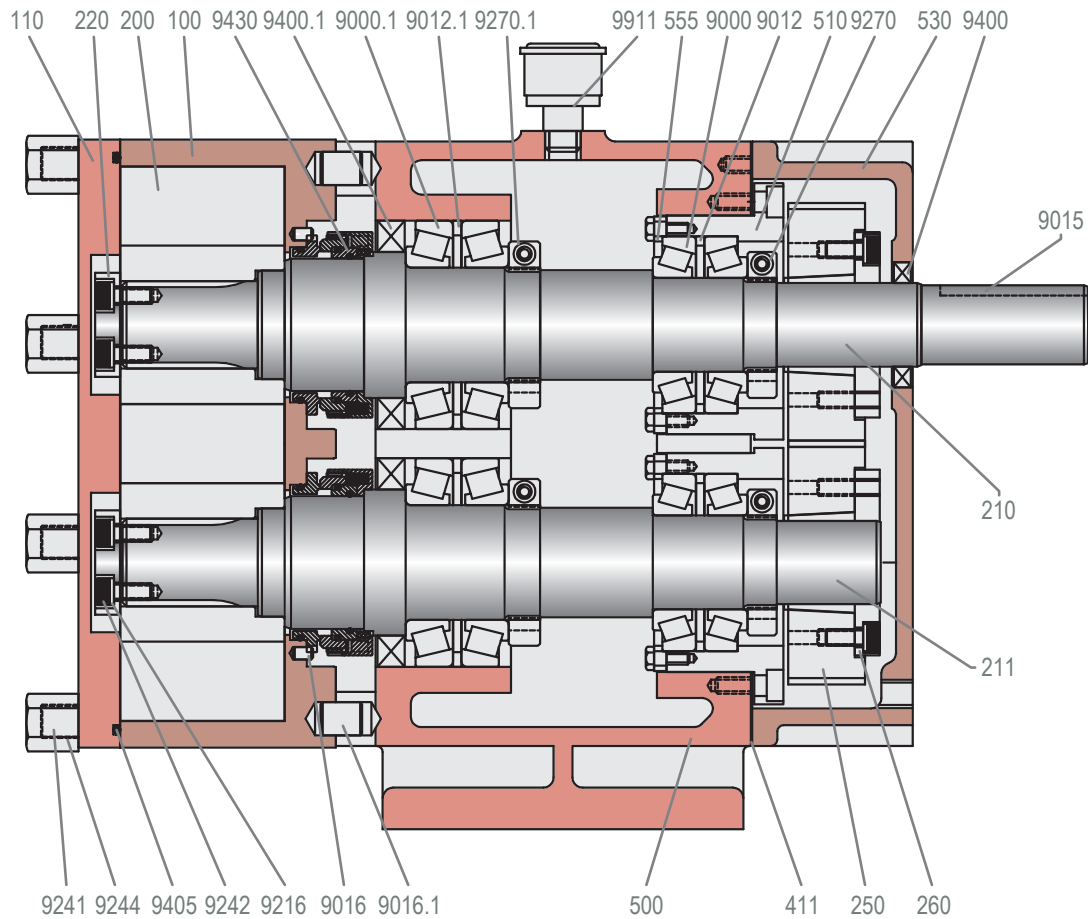
食品  
Food

醬料、美乃滋、巧克力、冰淇淋、食用油、果醬、  
牛奶、優格、奶油、味噌  
Sauce, Mayonnaise, Chocolate, Cream, Fats, Jam,  
Milk, Yogurt, Butter, Miso



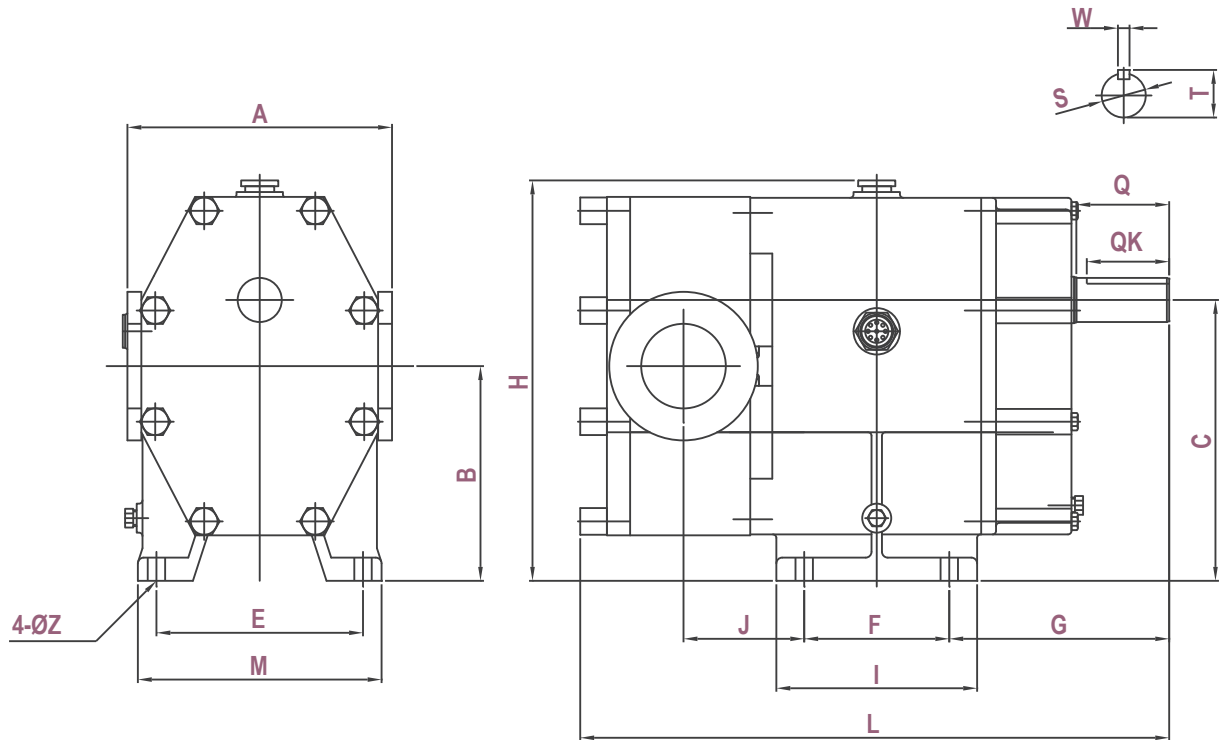
# ST 旋葉式衛生泵構造圖

## Sectional Drawing of ST Rotary Lobe Sanitary Pump



編號 NO.	名稱 Parts Name	Material	編號 NO.	名稱 Parts Name	Material
100	機殼	CF8M	9012	軸承墊圈	S45C
110	邊蓋	AISI316	9012.1	軸承墊圈	S45C
200	轉子	AISI316	9015	鍵	S45C
210	主動軸	AISI316	9016	平行銷	AISI304
211	從動軸	AISI316	9016.1	平行銷	AISI304
220	轉子固定墊圈	AISI316	9216	彈簧墊圈	AISI316
250	傳動齒輪	SNCM	9241	螺栓	AISI304
260	齒輪固定座	SCM4	9242	承窩頭螺絲	AISI316
411	油箱墊片	非石棉	9244	袋帽	AISI304
500	軸承座	FC200	9270	鎖緊螺帽	S45C
510	軸承調整座	FC200	9270.1	鎖緊螺帽	S45C
530	油箱	FC200	9400	油封	NBR
555	調隙軸承座蓋	S45C	9400.1	油封	NBR
9000	軸承		9405	O型環	VITON
9000.1	軸承		9430	機械軸封	
			9911	油杯	Bronze

### 外型尺寸圖 (Dimensions)



Unit: mm

泵浦機型 Pump Model	A	B	C	D	E	F	G	H	I	J	L	M	Q	QK	S	T	W	Z
ST-38	157	118.5	150	1.5S	120	105	138	221	145	69	373	148	50	46	22	24.5	6	11
ST-40	157	118.5	150	1.5S	120	105	138	221	145	83	387	148	50	46	22	24.5	6	11
ST-48	187	138	180	2S	145	125	150.5	263	166	76	423	173	60	46	28	32	8	11
ST-50	187	138	180	2S	145	125	150.5	263	166	94	441	173	60	46	28	32	8	11
ST-65	234	185	242	2.5S	178	125	189.5	345	173	83	481	210	80	71	38	43	10	15
ST-80	234	185	242	3S	178	125	189.5	345	173	104	508	210	80	71	38	43	10	15
ST-100	336	247	325	3.5S	240	190	250	468	240	104	468	290	110	101	55	65	16	19
ST-125	342	247	325	4S	240	190	250	468	240	112	668	290	110	101	55	65	16	19

### 性能表 Performance Overview

泵浦機型 Pump Model	最大壓力 Max. Pressure (kg/cm <sup>2</sup> )	最高轉速 Max. Speed (rpm)	每轉流量 Flow L/Rev. (L/Rev.)	重量 Weight (kg)
ST-38	16	950	0.13	30
ST-40	10	950	0.191	33
ST-48	16	800	0.309	55
ST-50	10	800	0.449	63
ST-65	16	700	0.728	84
ST-80	10	700	1.127	120
ST-100	16	600	1.95	315
ST-125	10	600	2.886	355

本型錄產品規格因產品改良而有所變更時恕不另行通知，訂購時請先確認。

Note: Because we are constantly working to improve performance and upgrade our products, specifications and diagrammatic representations in this catalog may change without notice.

## 客製化開發專案 Customized Development Services

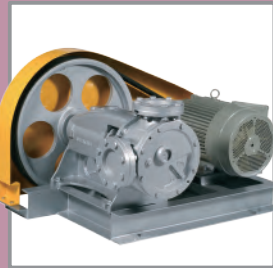
本公司具有豐富客製化產品經驗，可針對客戶專用產品提供客製化專案開發服務。如您需要的產品規格不在型錄中或是有特別使用條件（例如特高壓力、特高黏度，或是更大或更小流量需求），請向本公司業務部門或是技術部門洽詢相關細節。

We are well experienced in customized products. Customized Development Services can be provided for exclusive products owned by the customer. In case your application is not covered by the products listed in our catalog or is subject to special operation requirements (such as ultra high pressure, ultra high viscosity, or for very large or very small flow rates), please consult our Sales Department or Technical Department for further assistance.

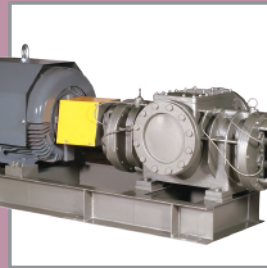
## 其他產品 Other Products



液封式真空泵浦  
Liquid Ring Vacuum Pump



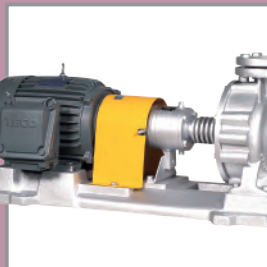
IG 齒輪泵浦  
Internal Gear Pump



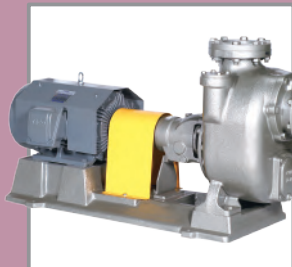
雙軸螺旋泵浦  
Twin Screw Pump



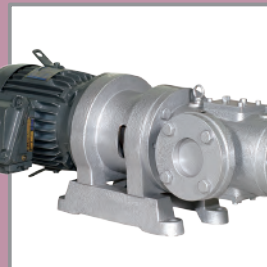
機械助力真空泵  
Mechanical Booster Vacuum Pump



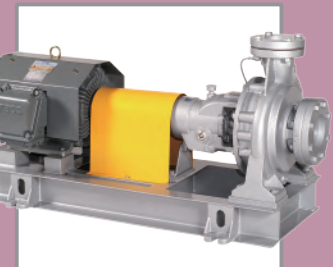
高溫熱媒泵浦  
High Temperature Pump



製程級自吸泵  
Self-priming Process Pump



三軸螺旋泵浦  
Three Screw Pump



離心式製程泵浦  
Centrifugal Process Pump



**三錦機器股份有限公司**  
**SUNNY KING MACHINERY CO., LTD**

| 官方網址 | Official Website : [www.sunny-king.com.tw](http://www.sunny-king.com.tw)  
| 聯絡我們 | Contact Us : [skpump@sunny-king.com.tw](mailto:skpump@sunny-king.com.tw)

■ 台北公司 **Taipei Office** 104台北市中山區民生東路二段147巷5弄12號  
No.12, Alley 5, Lane 147, Sec. 2, Minsheng E. Rd., Zhongshan District, Taipei City 104, Taiwan  
Tel:+886-2-2509-0049 Fax:+886-2-2509-4194

■ 新莊廠 **Xinzhunag Factory** 242新北市新莊區新樹路234巷1號  
No.1 Lane 234 Xinshu Rd. Xinzhuang District, New Taipei City 242, Taiwan  
Tel:+886-2-2202-0224~6 Fax:+886-2-2202-7354

■ 中壢廠 **Zhongli Factory** 320桃園市中壢區南園路16號(中壢工業區)  
No.16, Nanyuan Rd., Zhongli District, Taoyuan City 320, Taiwan  
Tel:+886-3-451-1969 Fax:+886-3-452-8602

地區經銷：

■ 台中 昌錦企業  
407台中市西屯區工業42路33號  
Tel:+886-4-2359-4673 Fax:+886-4-2359-4723  
E-mail:ccpump@ms57.hinet.net

■ 高雄 東震行  
807高雄市三民區中華二路199號  
Tel:+886-7-321-1745~6 Fax:+886-7-321-1747  
E-mail:t3211745@ms41.hinet.net

■ 昆山正錦精密機械有限公司  
215312江蘇省昆山市巴城鎮石牌京阪路1288號  
Tel:0512-5782-3681~3 Fax:0512-5519-0466  
E-mail:w-c@sunny-king.com.tw